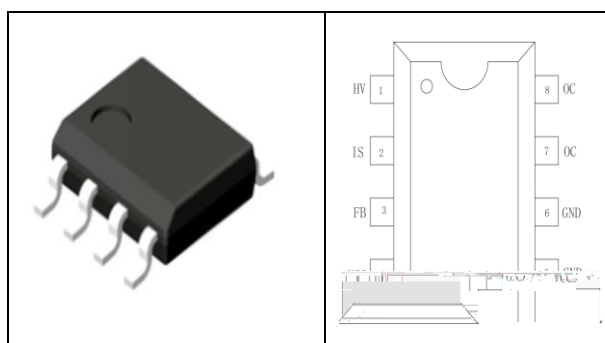
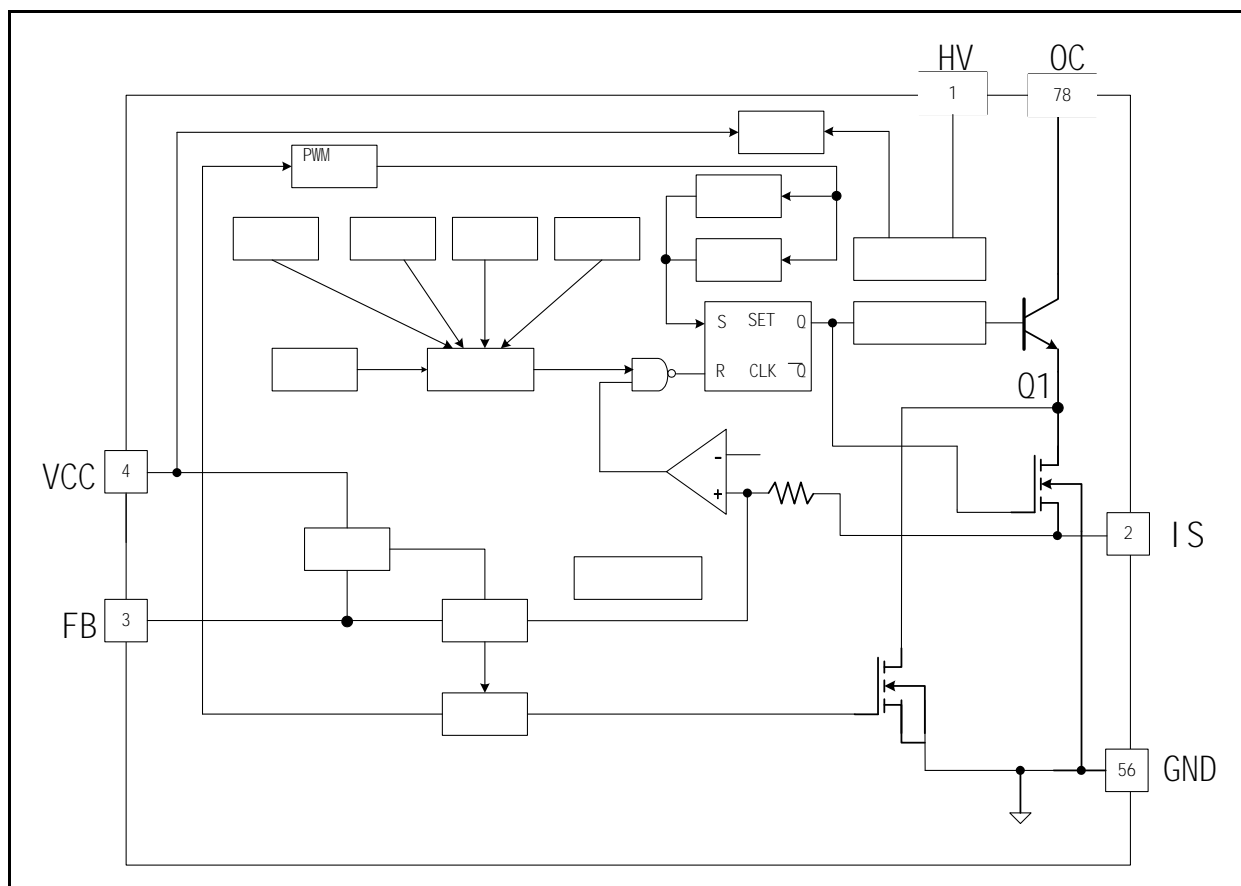



- 
- 
- 
- 
- 

- 
- 
- 

- 
- 
- 





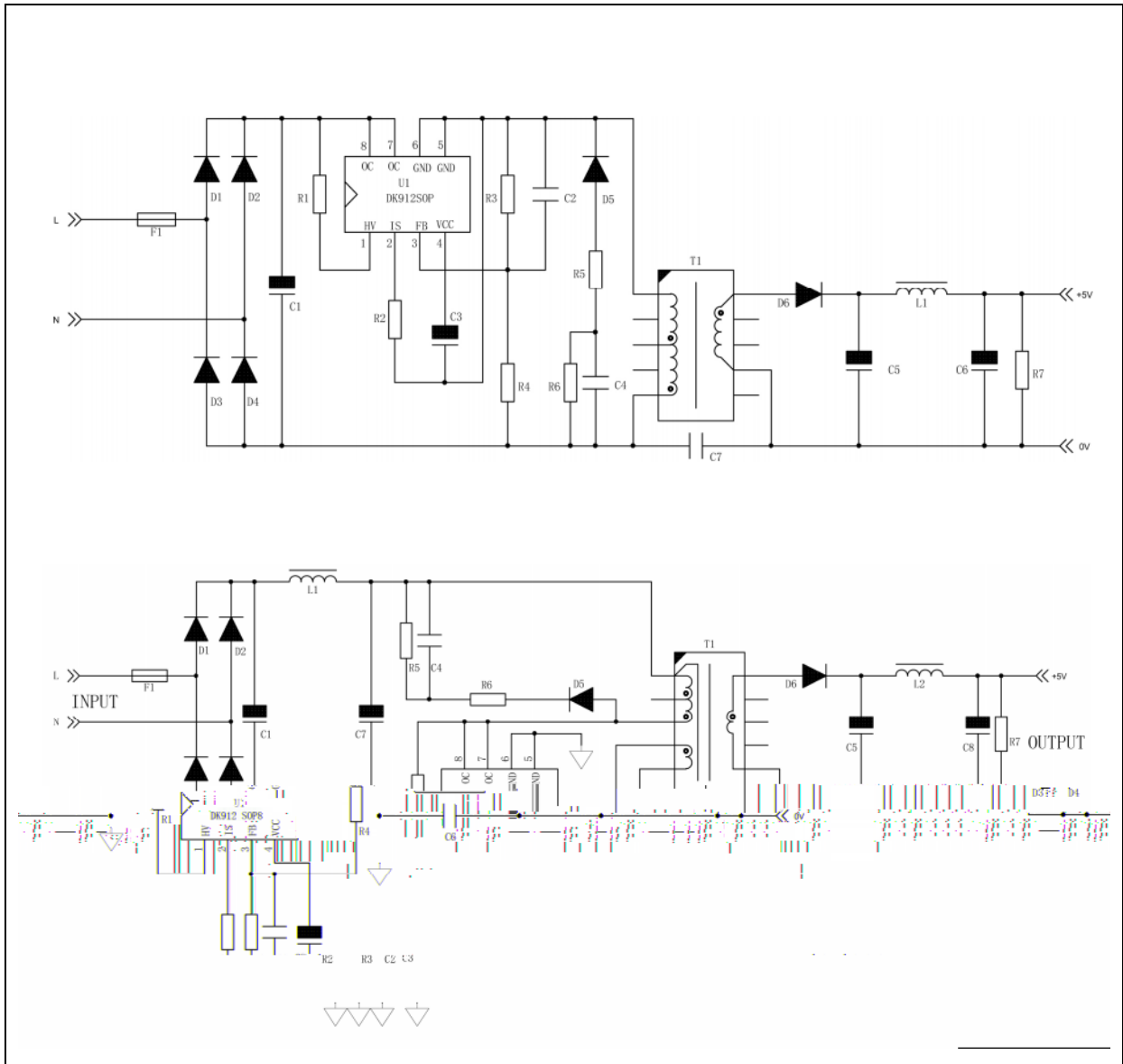
$$V_{OUT} \approx \frac{V_{OR} * R_2}{N * K_1} - V_{CE(sat)}$$

$$P_{Omax} \approx \frac{1}{4} * I_{pmax} * N * V_{out}$$

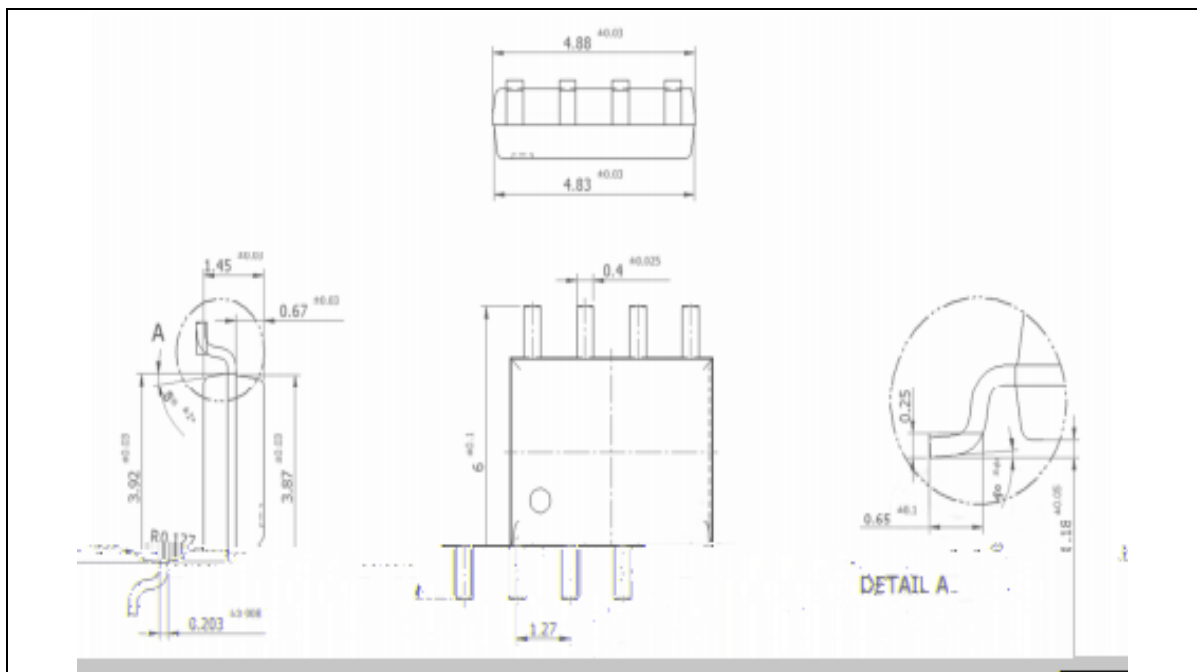
$$f_s \approx \frac{N * V_{out}}{2 * L_p * I_{pmax}}$$

$$L_{pmin} = \frac{N * V_{out}}{f_s * I_{pmax}}$$

$$F_s \max = \frac{N * V_{out}}{2 * L_p * I_p \max}$$



1.



2.

