



High frequency operation
Low forward voltage drop
High purity, high temperature epoxy encapsulation for enhanced mechanical strength and moisture resistance
Guard ring for enhanced ruggedness and long term reliability

Photovoltaic solar cell protection schottky rectifier

GF025
Molding compound meets UL 94 V-0 flammability rating,
Tin plated leads, solderable per J-STD-002 and JESD 22-B102
As marked

($T_a=25$ Unless otherwise specified)

Device marking code			GFMK3045
Repetitive Peak Reverse Voltage	VRRM	V	45
Average Rectified Output Current @60Hz sine wave, R-load, $T_a=25^{\circ}\text{C}$	GFMe IO	A	30

v \$) 0 6 X U J H °



($T_a=25$ Unless otherwise specified)

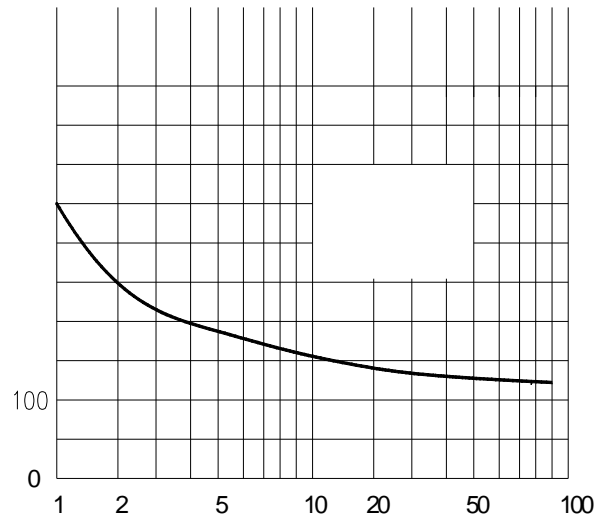
Thermal Resistance 1	R J-C	$^{\circ}\text{C}/\text{W}$	1.5

(1) Thermal resistance from Between junction and case, On glass-epoxi substrate.

(Example)

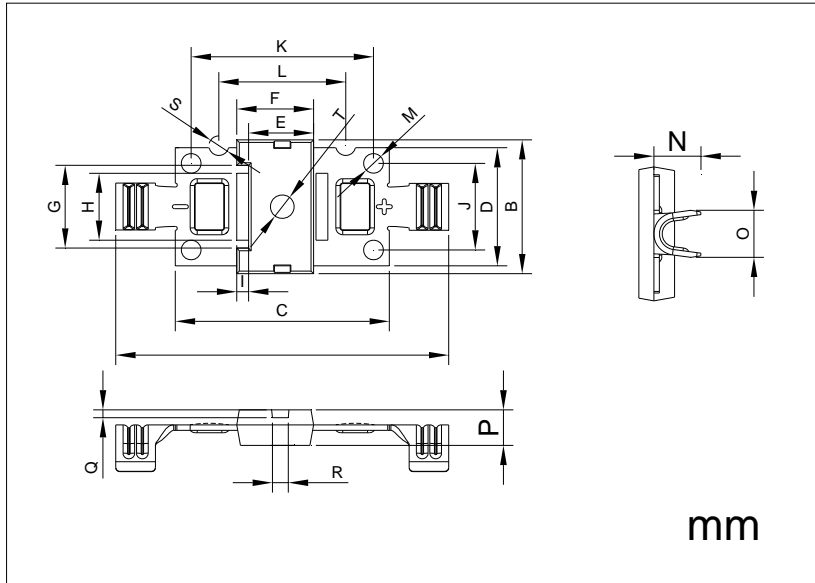
GFMK3045	Approximate 4.0	30	600	2400	Tube

(Typical)





(in millimeters)



DIM	MM		NOTE
	MIN	MAX	
A	41.5	42.5	
B	16.5	17.5	
C	26.5	27.5	
D	14.5	15.5	
E	7.9	8.5	
F	9.4	10	
G	10.50REF		
H	8.2	8.8	
I	1.2	1.8	
J	10.7	11.3	
K	22.7	23.3	
L	15.7	16.3	
M	2.35	2.65	
N	5.65	6.25	
O	5.72	6.22	
P	4.4	4.6	
Q	0.7	1.3	
R	1.7	2.3	
S	2.3	2.7	
T	2.7	3.3	



The information presented in this document is for reference only. Yangzhou Yangjie Electronic Technology Co., Ltd. reserves the right to make changes without notice for the specification of the products displayed herein to improve reliability, function or design or otherwise.

The product listed herein is designed to be used with ordinary electronic equipment or devices, and not designed to be used with equipment or devices which require high level of reliability and the malfunction of