

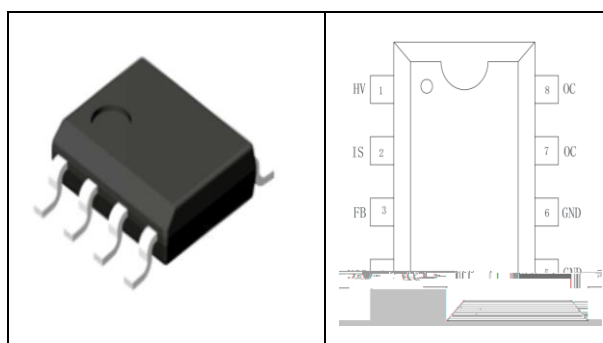
|  |  |  |  |  |  |  |
|--|--|--|--|--|--|--|
|  |  |  |  |  |  |  |
|  |  |  |  |  |  |  |
|  |  |  |  |  |  |  |
|  |  |  |  |  |  |  |
|  |  |  |  |  |  |  |
|  |  |  |  |  |  |  |
|  |  |  |  |  |  |  |
|  |  |  |  |  |  |  |
|  |  |  |  |  |  |  |
|  |  |  |  |  |  |  |

45

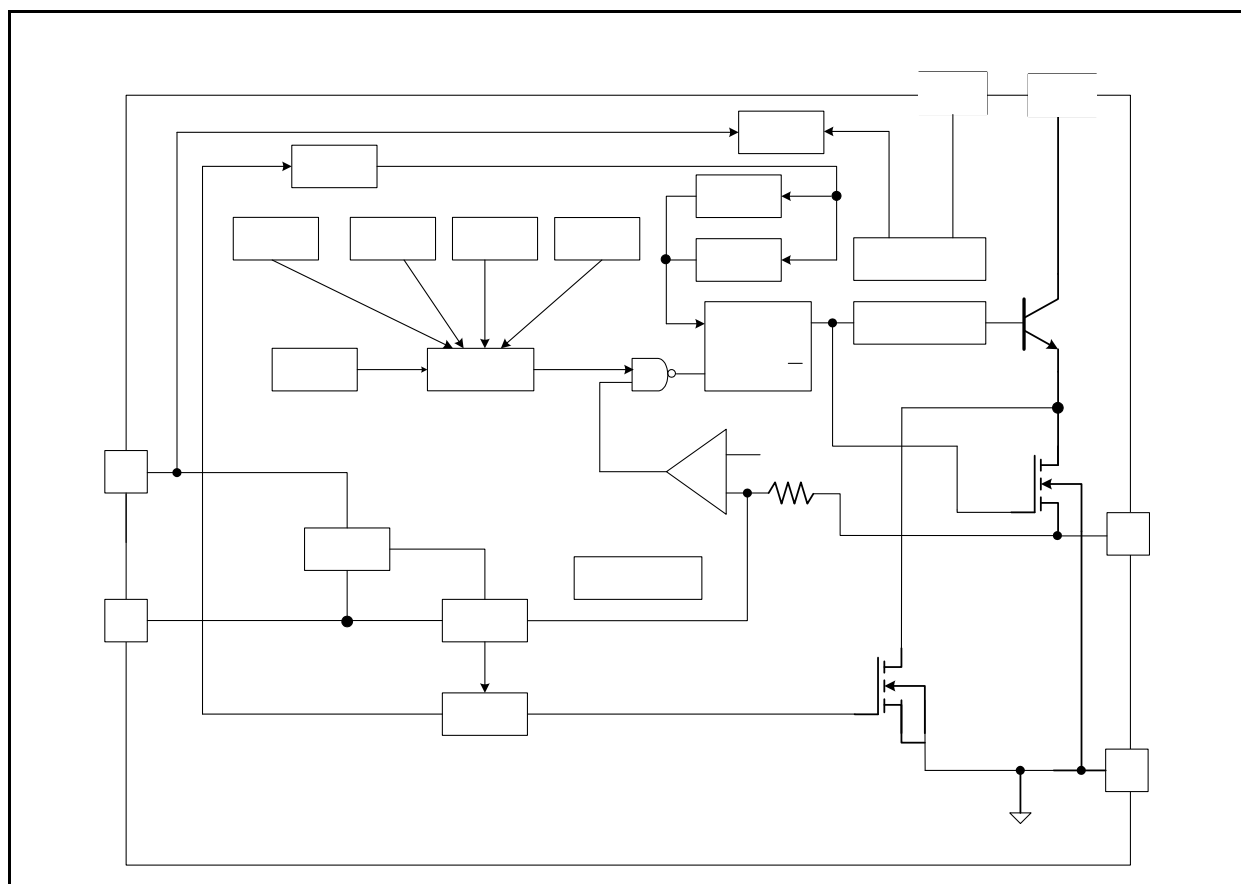
- 
- 
- 
- 
- 

- 
- 
- 
- 

- 
- 
- 



|  |  |  |
|--|--|--|
|  |  |  |
|  |  |  |
|  |  |  |
|  |  |  |
|  |  |  |
|  |  |  |



|  |       |  |  |  |  |
|--|-------|--|--|--|--|
|  |       |  |  |  |  |
|  |       |  |  |  |  |
|  |       |  |  |  |  |
|  |       |  |  |  |  |
|  |       |  |  |  |  |
|  |       |  |  |  |  |
|  |       |  |  |  |  |
|  |       |  |  |  |  |
|  |       |  |  |  |  |
|  |       |  |  |  |  |
|  |       |  |  |  |  |
|  |       |  |  |  |  |
|  |       |  |  |  |  |
|  |       |  |  |  |  |
|  | $T_W$ |  |  |  |  |



4!

V V

$$V \approx \frac{V_{OR} * R_2}{d * N * R_1} - V$$

$$Po \max \approx \frac{1}{4} * Ip \max * N * Vout$$

$$Fs \max = \frac{N * Vout}{2 * Lp * Ip \max}$$

$$Lp \min = \frac{N * Vout}{2 * Fs \max * Ip \max}$$

5!

!

7!

1!

9!

$$f_{s \max} = \frac{N * V_{out}}{2 * L_p * I_{p \max}}$$

0!

1!

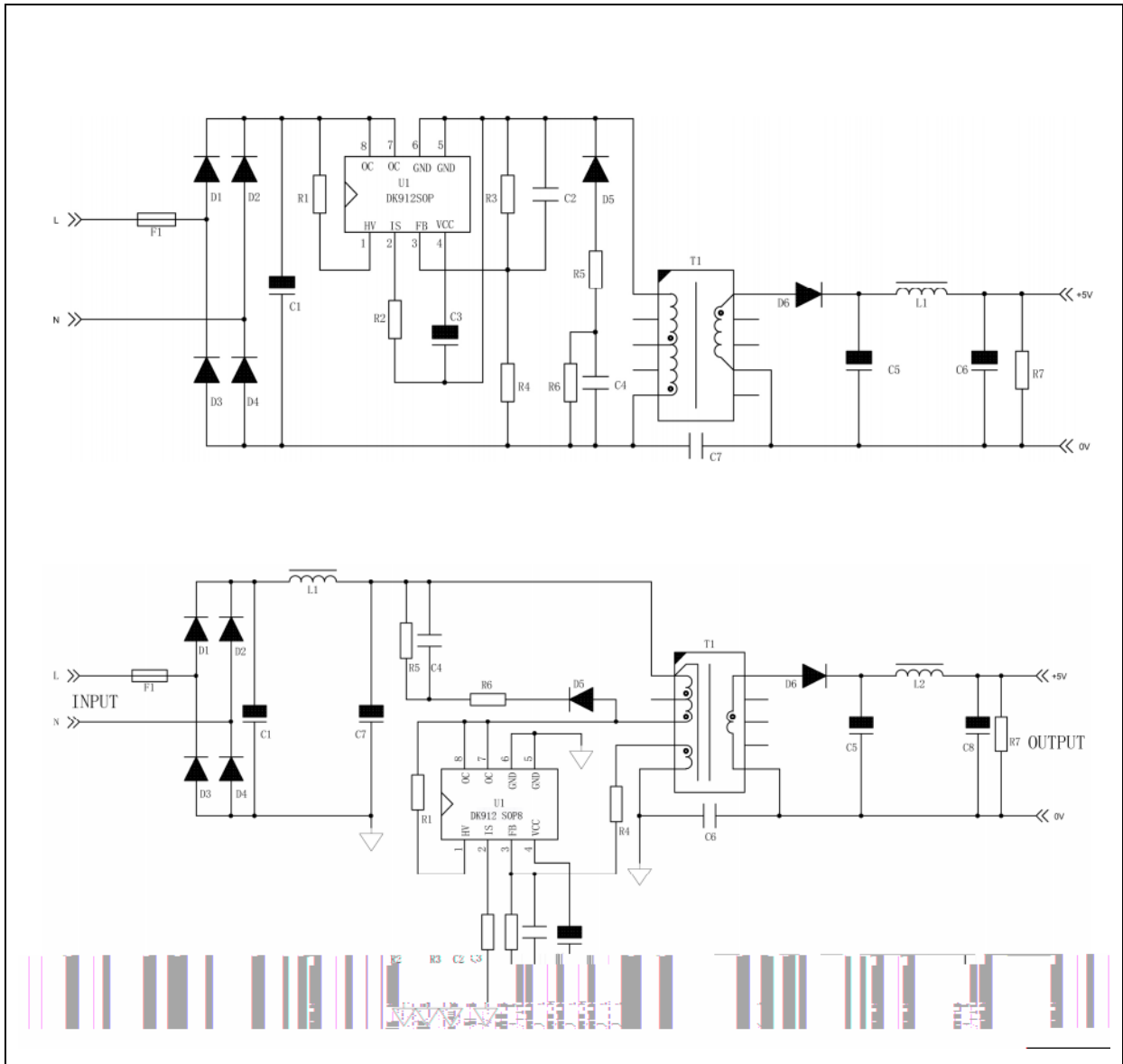
2!

43!

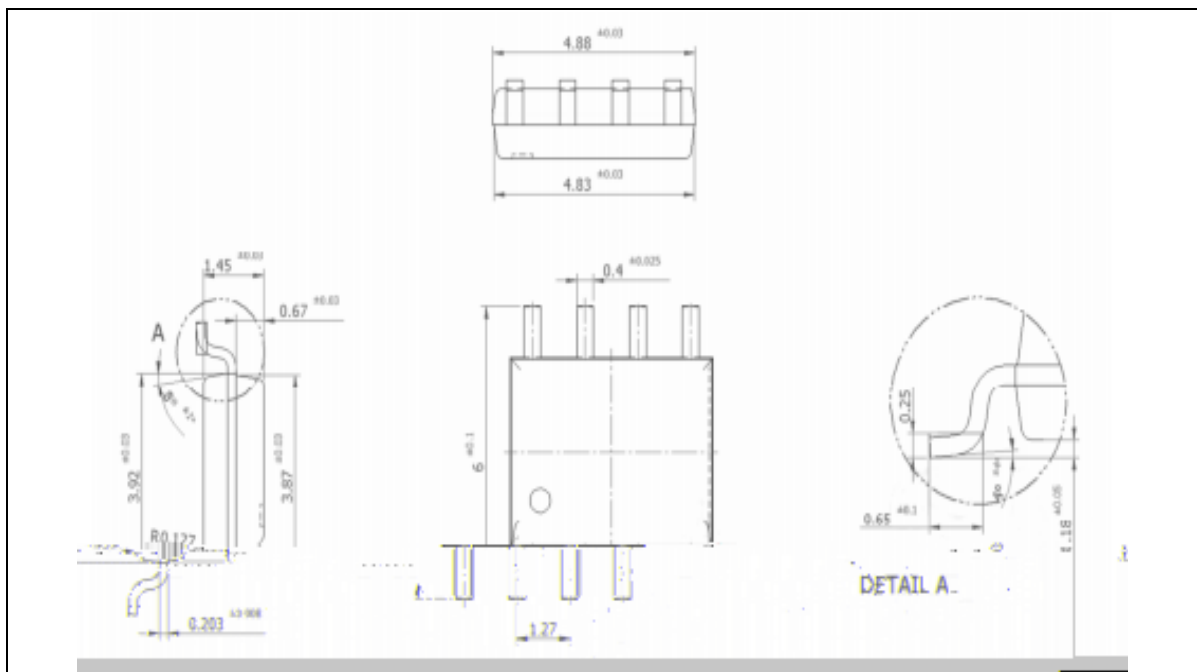
44!

45!

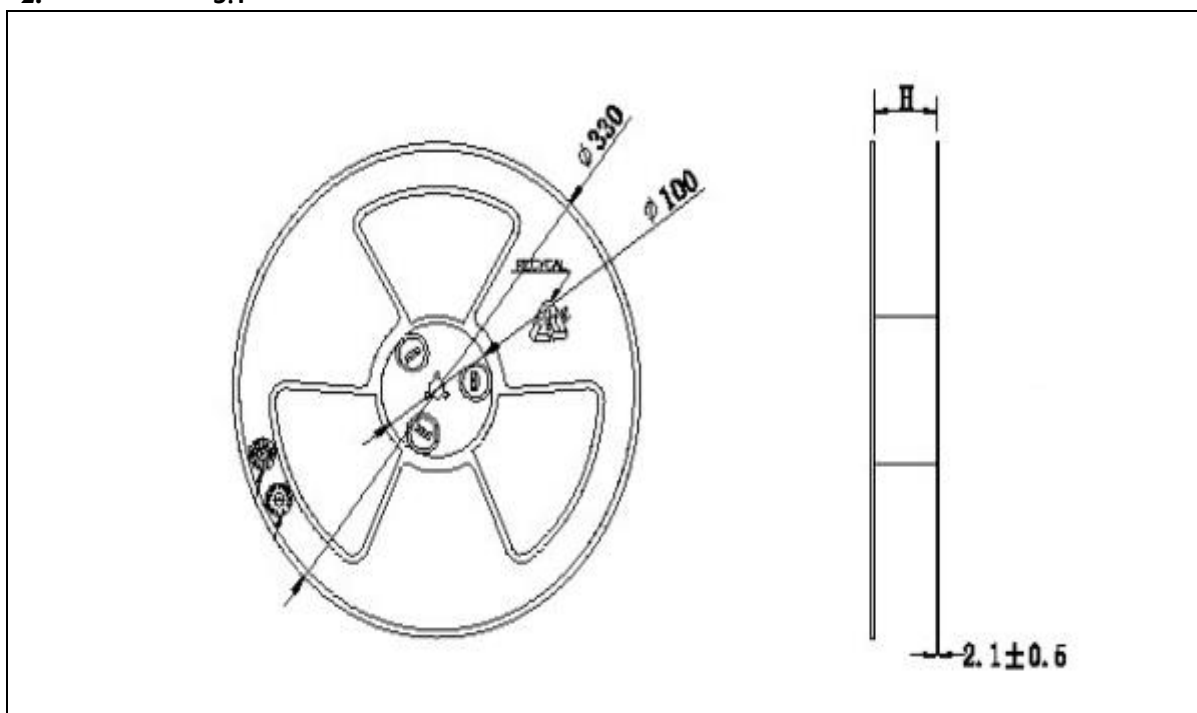
4 !



1. PM 1



2. 511





▼  
▼  
▼  
▼  
▼  
▼  
▼