
一级代理商：

深圳市弗瑞鑫电子有限公司

地址：深圳市宝安区西乡大道302号金源商务大厦B座三楼

frxelec

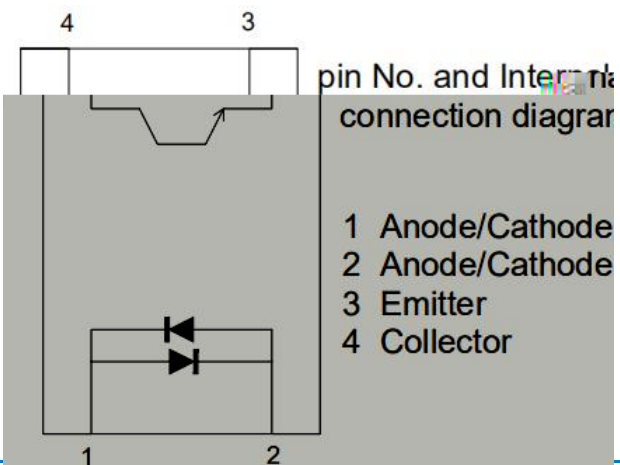
1.



2.

3.

4.



5.

8

6.

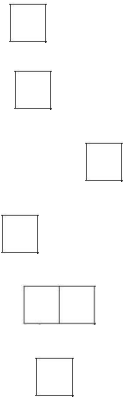
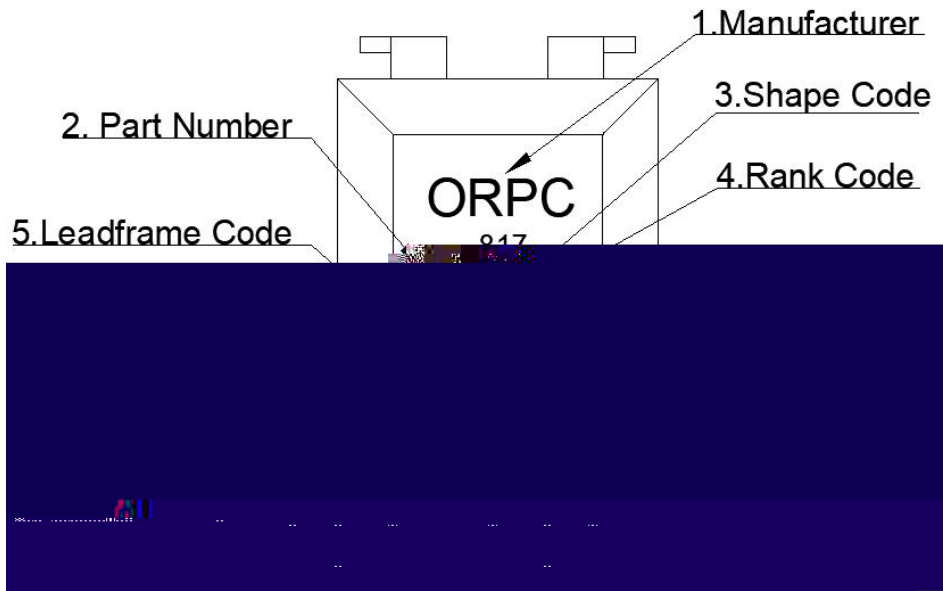
„СЛУЖБА ЗА ПРАВО“

7.

8.

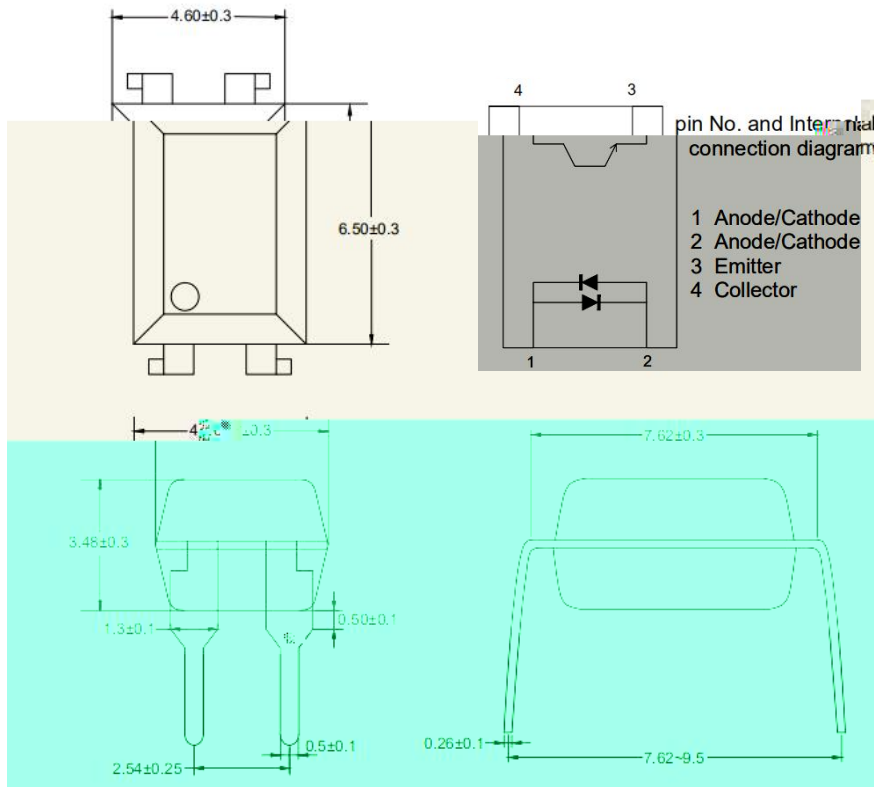
W W R

9.

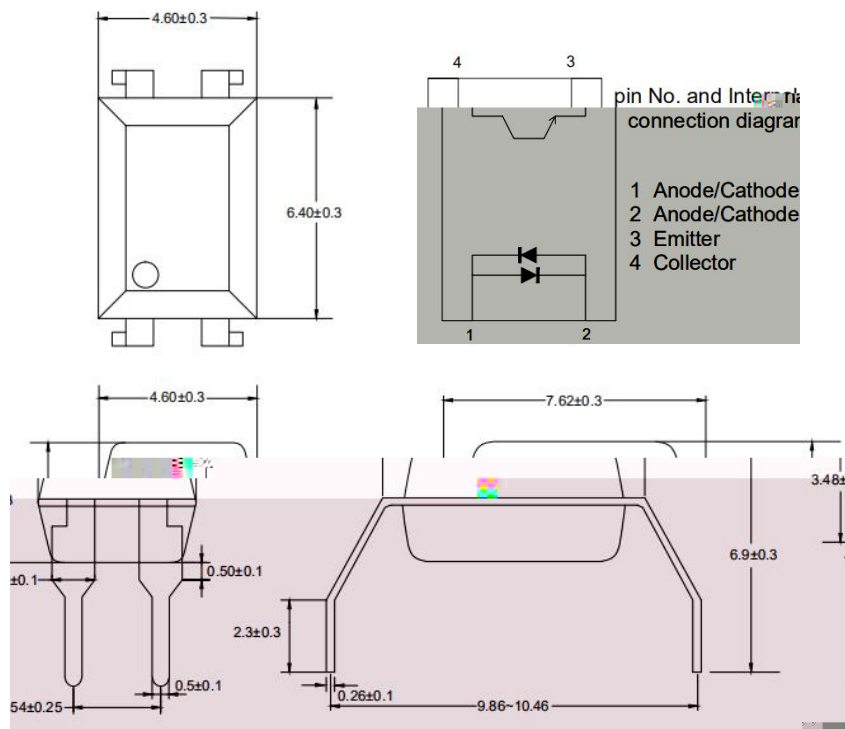


10.

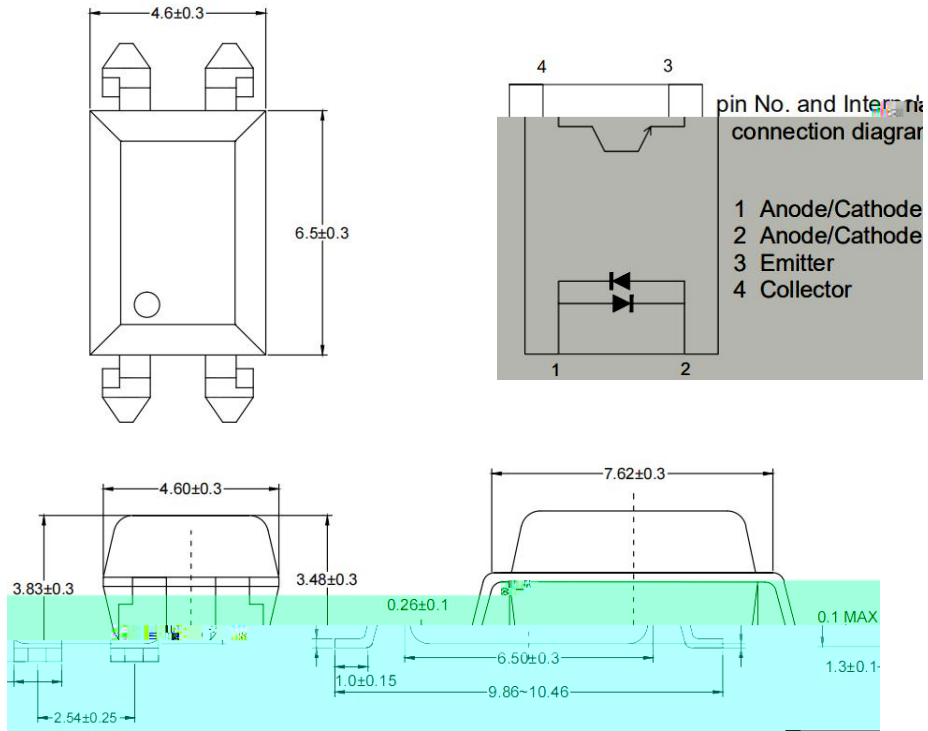
1.



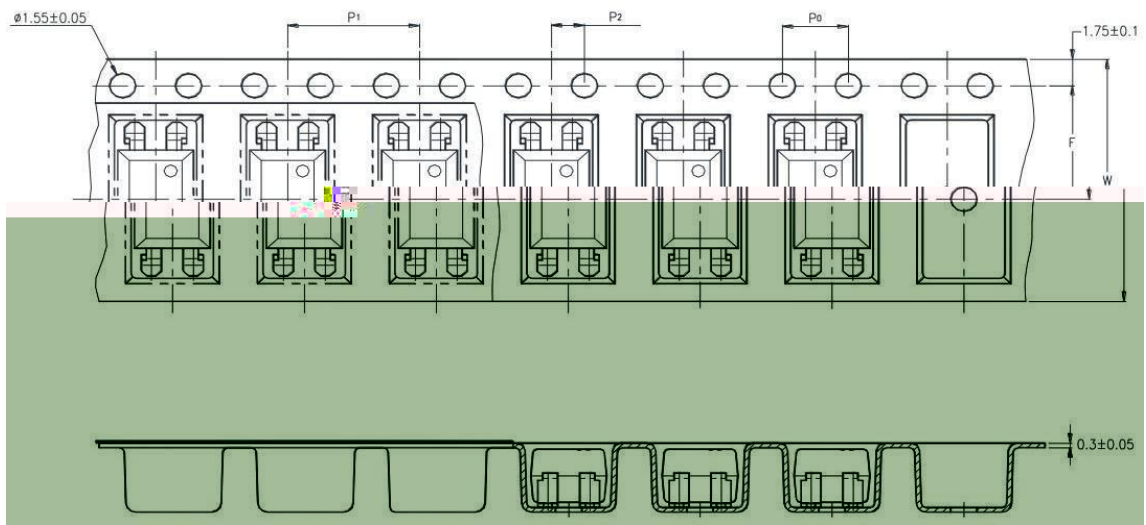
2.



3.



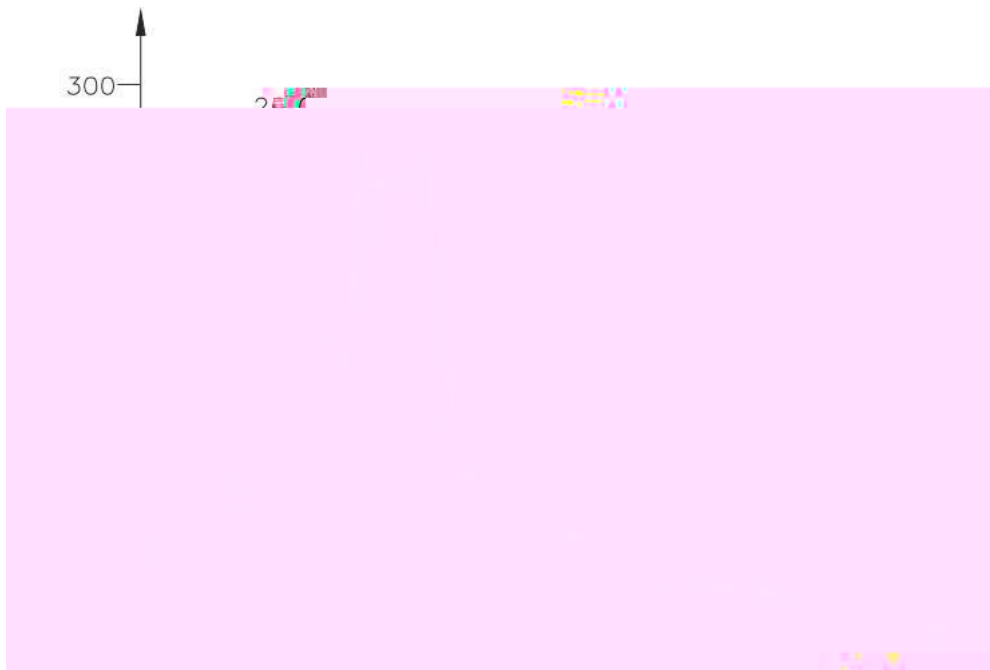
11.



12.

14.





Temperature	380+0/-5°C
Time	3 sec max

16.

Fig.1 Forward current vs Ambient temperature

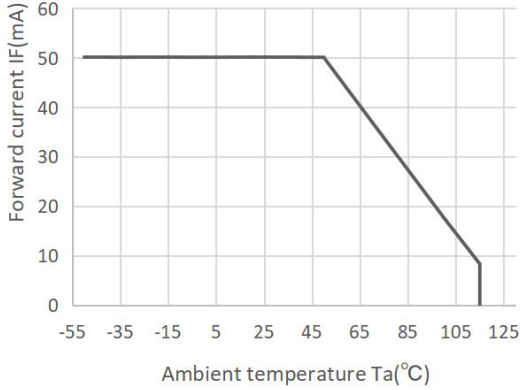


Fig.2 Collector Power Dissipation vs. Ambient temperature

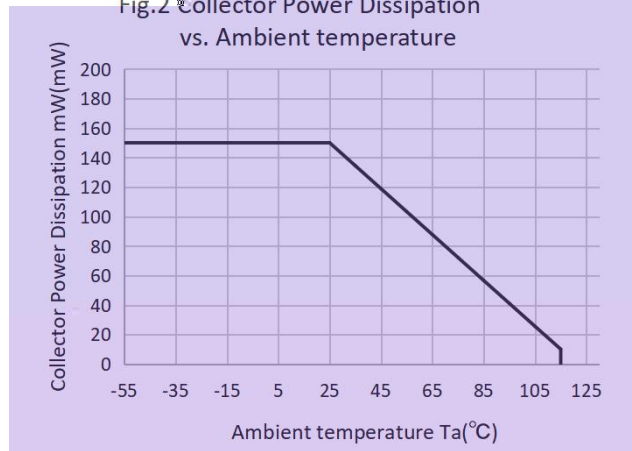


Fig.3 Collector-emitter Saturation Voltage



Fig.4 Forward Current vs. Forward Voltage

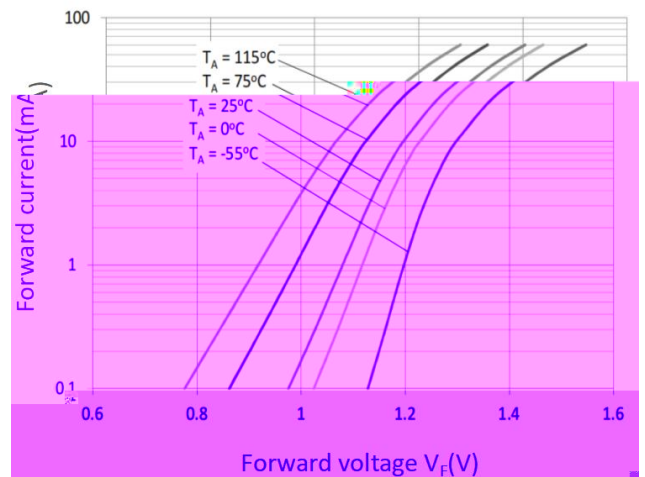


Fig.5 Forward Current vs. Current Transfer Ratio

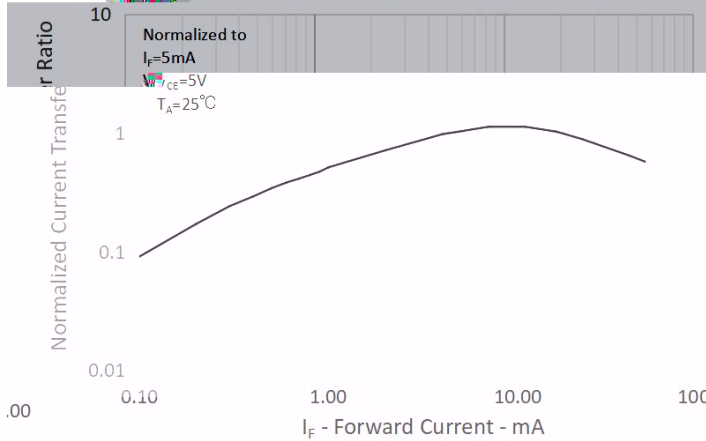


Fig.6 Collector Current vs. Collector-emitter Voltage

