



Shenzhen Orient Components Co., Ltd

1.Features



2. Description

3. Applications



4.Absolute Maximum Ratings at Ta=25

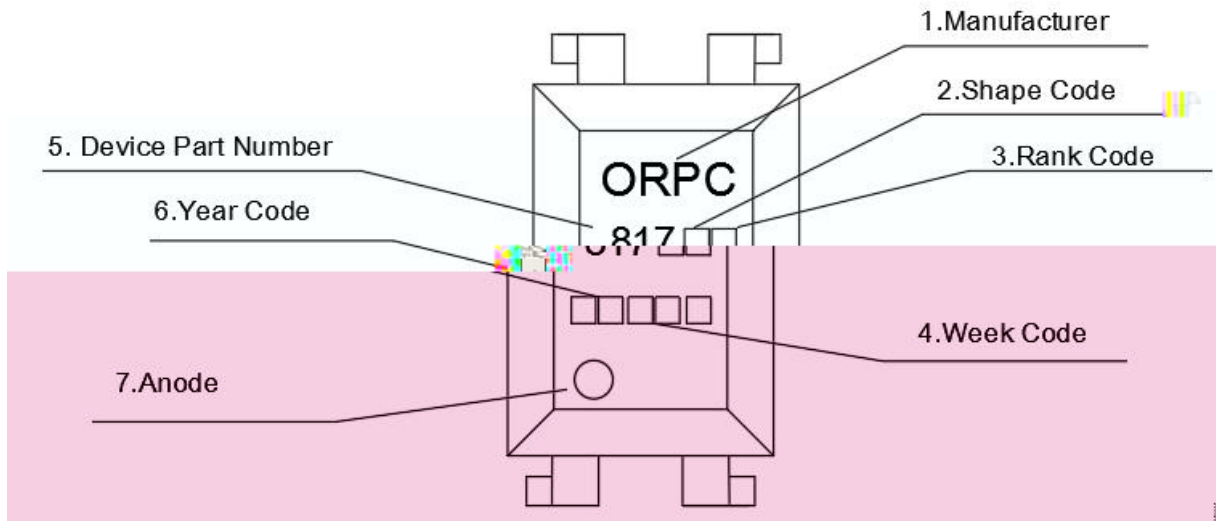
	Pa a	S b	Ra Va	U



5. E -O a C a a (Ta=25)

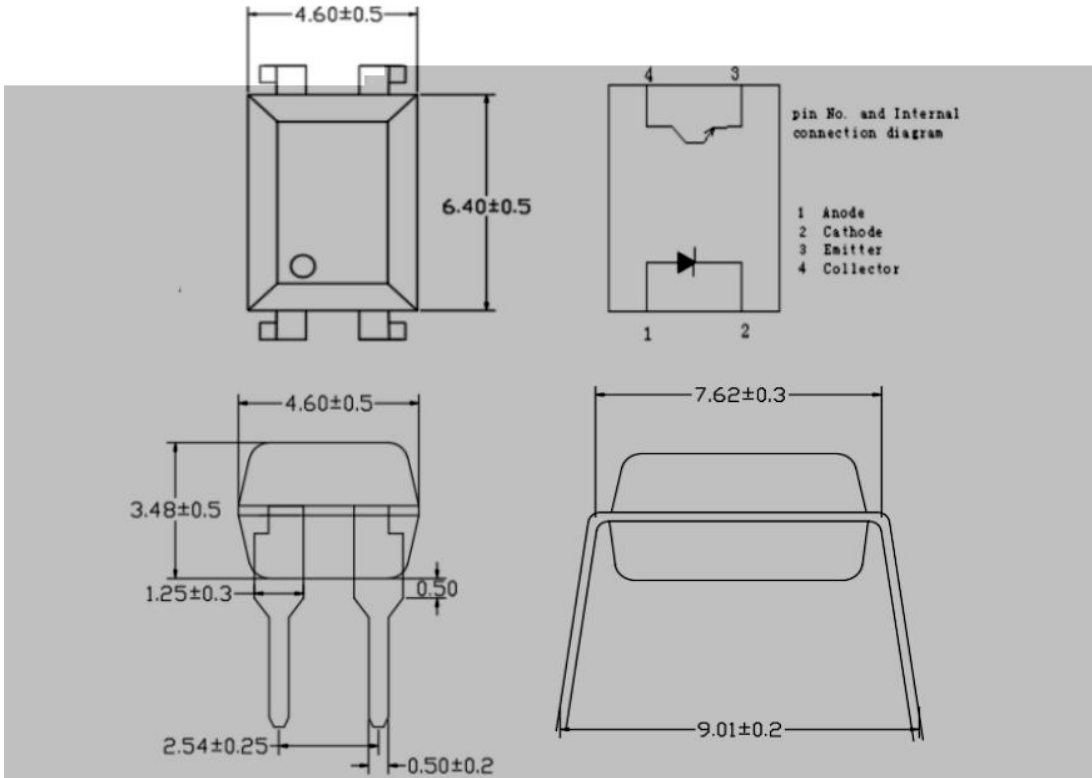
Pa a		S b	C	M	T .*	Ma	U
I							
O							
T a C a a							

7. Naming Rule



8. Package Dimension (Unit mm)

(1) ORPC-817



(2) ORPC-817M

