



GFMK4045

Schottky Bypass Diode Module

Features

- High frequency operation
- Low forward voltage drop
- High purity, high temperature epoxy encapsulation for enhanced mechanical strength and moisture resistance
- Guard ring for enhanced ruggedness and long term reliability

Typical Applications

Photovoltaic solar cell protection schottky rectifier

Mechanical Data

Package: GF025

Molding compound meets UL 94 V-0 flammability rating,

Terminals:



GFMK4045

Thermal Characteristics ($T_a=25$ Unless otherwise specified)

| PARAMETER | SYMBOL | UNIT | GFMK4045 |
|----------------------|--------|------|----------|
| Thermal Resistance 1 | R J-C | /W | 1.5 |

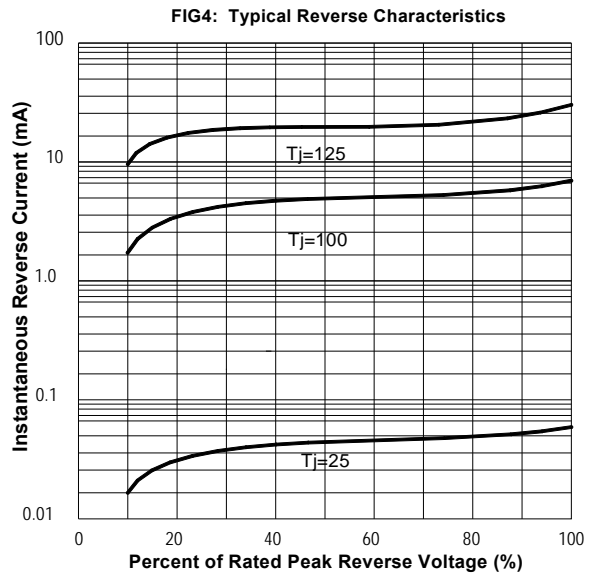
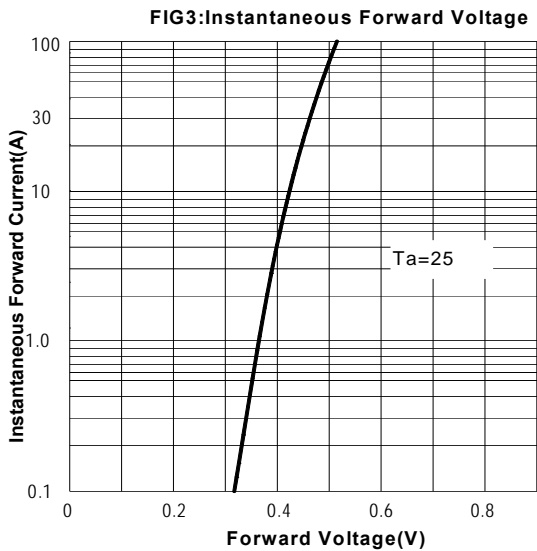
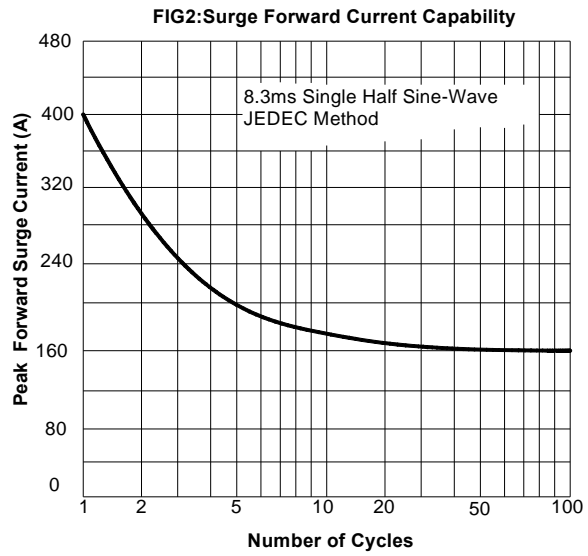
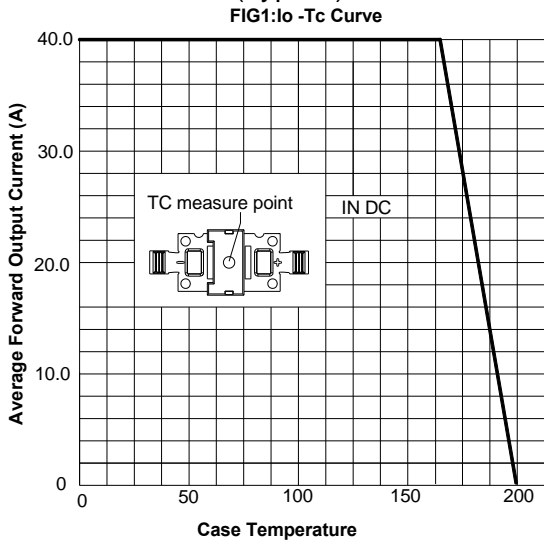
Note

(1) Thermal resistance from Between junction and case, On glass-epoxi substrate.

Ordering Information (Example)

| PREFERRED P/N | UNIT WEIGHT(g) | MINIIMUM PACKAGE(pcs) | INNER BOX QUANTITY(pcs) | OUTER CARTON QUANTITY(pcs) | DELIVERY MODE |
|---------------|-----------------|-----------------------|-------------------------|----------------------------|---------------|
| GFMK4045 | Approximate 4.0 | 30 | 600 | 2400 | Tube |

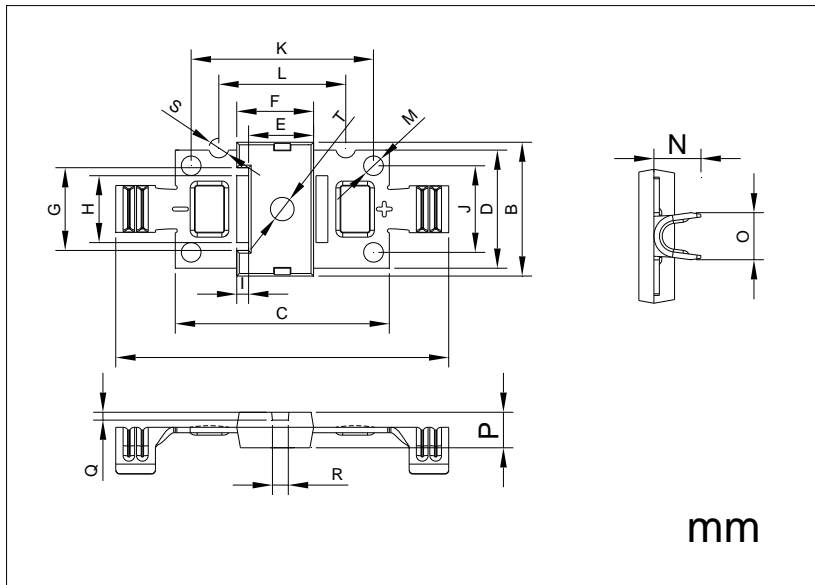
Characteristics (Typical)





GFMK4045

Outline Dimensions (in millimeters)



| DIM | MM | | NOTE |
|-----|----------|------|------|
| | MIN | MAX | |
| A | 41.5 | 42.5 | |
| B | 16.5 | 17.5 | |
| C | 26.5 | 27.5 | |
| D | 14.5 | 15.5 | |
| E | 7.9 | 8.5 | |
| F | 9.4 | 10 | |
| G | 10.50REF | | |
| H | 8.2 | 8.8 | |
| I | 1.2 | 1.8 | |
| J | 10.7 | 11.3 | |
| K | 22.7 | 23.3 | |
| L | 15.7 | 16.3 | |
| M | 2.35 | 2.65 | |
| N | 5.65 | 6.25 | |
| O | 5.72 | 6.22 | |
| P | 4.4 | 4.6 | |
| Q | 0.7 | 1.3 | |
| R | 1.7 | 2.3 | |
| S | 2.3 | 2.7 | |
| T | 2.7 | 3.3 | |



GFMK4045

Disclaimer

The information presented in this document is for reference only. Yangzhou Yangjie Electronic Technology Co., Ltd. reserves the right to make changes without notice for the specification of the products displayed herein to improve reliability, function or design or otherwise.

The product listed herein is designed to be used with ordinary electronic equipment or devices, and not designed to be used with equipment or devices which require high level of reliability and the malfunction of which would directly endanger human life (such as medical instruments, transportation equipment, aerospace machinery, nuclear-reactor controllers, fuel controllers and other safety devices), Yangjie or anyone on its behalf, assumes no responsibility or liability for any damages resulting from such improper use of sale.

This publication supersedes & replaces all information previously supplied. For additional information, please visit our website [http:// www.frxelec.com](http://www.frxelec.com) , or consult your nearest Yangjie's sales office for further assistance.