

| Parameter | Symbol | Min. | Max. | Unit |
|---|-------------|-----------|------|------|
| Forward Voltage at $I_F = 10 \text{ mA}$ | V_F | - | 1 | V |
| Reverse Breakdown Voltage at $I_R = 100 \text{ }\mu\text{A}$ at $I_R = 5 \text{ }\mu\text{A}$ | $V_{(BR)R}$ | 100 75 | | |

Typical Characteristics

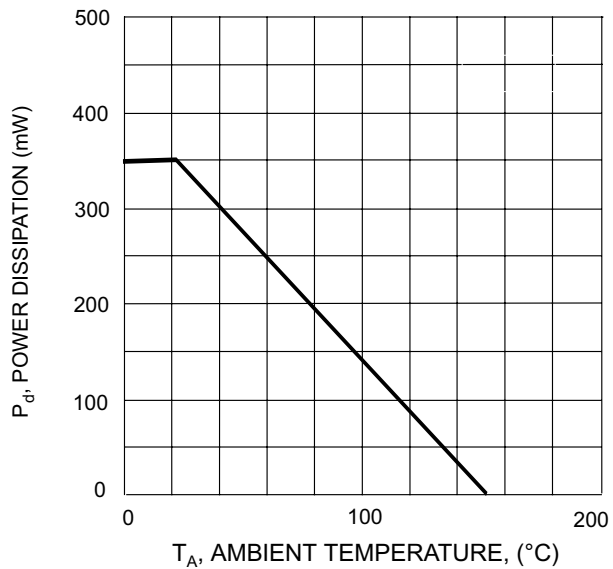


Fig. 1 Power Derating Curve

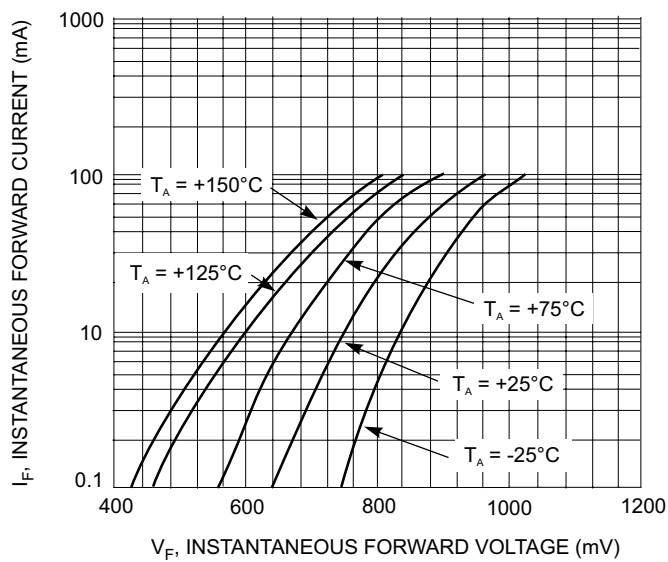
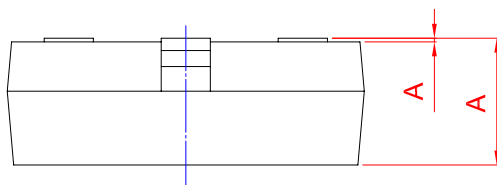
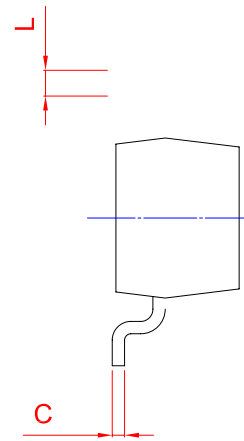
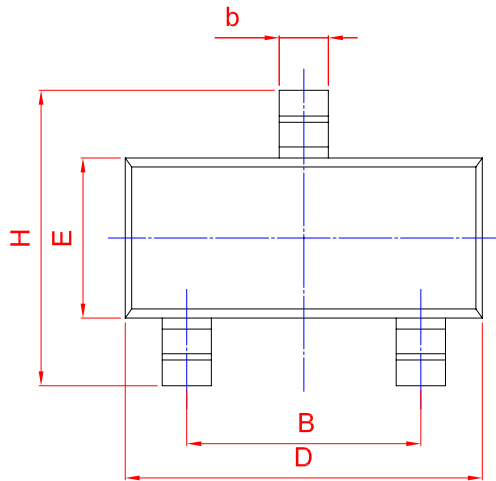
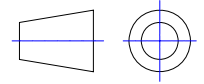


Fig. 2, Typical Forward Characteristics



| | | | | | | | | | |
|-------------|---|--|--|--|---|---|--|----|--|
| UNIT | A | | | | D | E | | A1 | |
| mm | 1 | | | | | | | | |

1