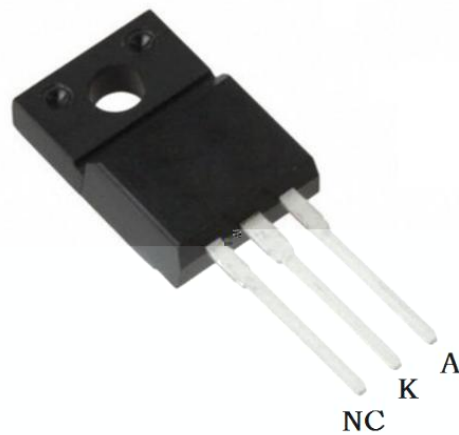


DK5V85R15ST1				● USB
	A	K		●
PN		85V	NMOS	● LED

DK5V85R15ST1 TO-220F

- PSR SSR
- $V_F$
- 
- 85V 15m NMOS
- CCM DCM&QR
- 
- EMI/C
- 
- 

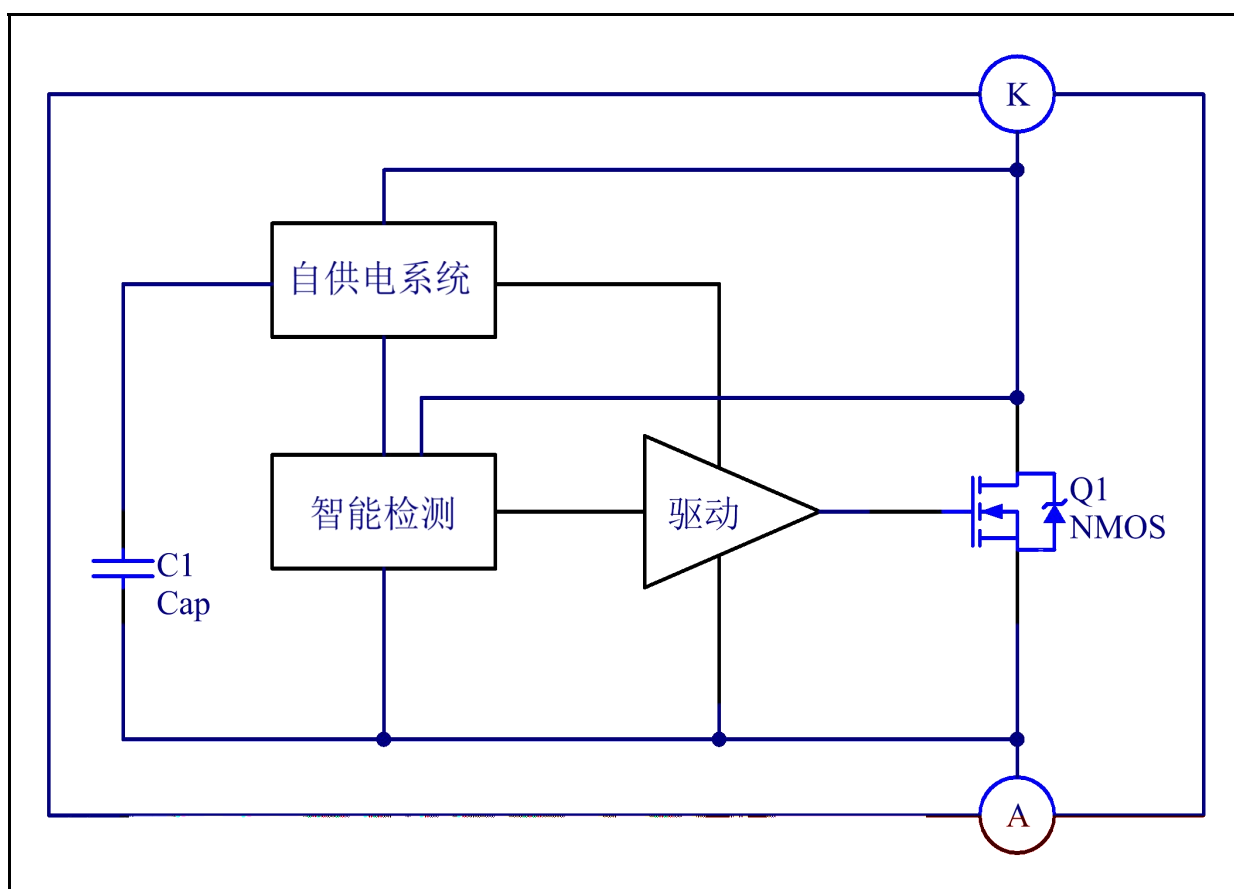


1	NC	
2	K	
3	A	


45

, DK5V85R15ST1

4A



NMOS	$V_{(BR)DSS}$	85			V
TO220	$P_{DMAX}$		33		W
	$R_{JA}$		62.5		/W
	$R_{JC}$		3.8		/W
	$T_{STG}$	-55		155	
	$T_J$	-40		150	
			260/5S		

 $T_A = 25$ 

	$V_{CC\_ON}$			7.2		V
	$V_{CC\_OFF}$			3.3		V
	$V_{OVP}$			10		V
NMOS	$V_{ON}$	K		-220		mV
NMOS	$T_{DON}$				150	ns
NMOS	$T_{DOFF}$				50	ns
NMOS	$T_{ON\_MAX}$			20		$\mu$ s
NMOS	$T_{ON\_MIN}$			200		ns
NMOS	$T_{OFF\_MIN}$			500		ns
	$T_D$			400		ns
	$F_{S\_MAX}$				150	KHz
NMOS	$R_{DS\_ON}$				15	m

A

K

DK5V85R15ST1

1.

				NMOS		K
A			VCC	VCC		VCC
VCC_ON	NMOS		VCC	VCC_ON		
	VCC		VCC_OFF			

2.

A	K		VON	NMOS		K
K			CCM			NMOS
TON	NMOS		TON	NMOS		MOS
O		MOS				

3.

			CCM			NMOS
	A	K	RC		K	

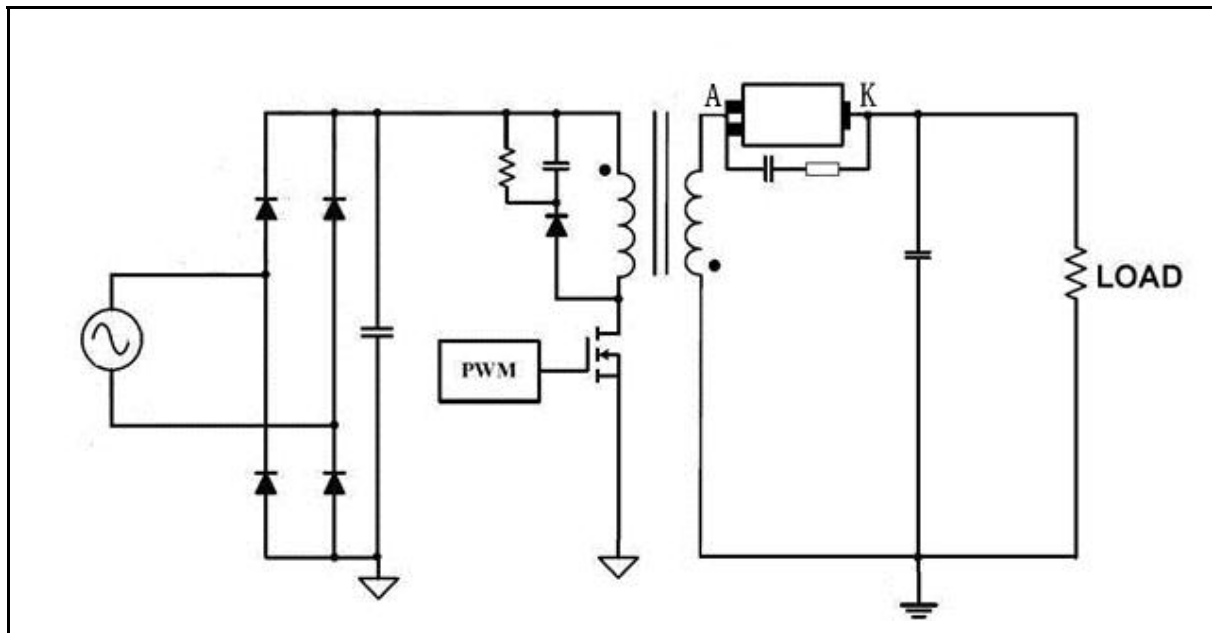
4.

NMOS		
	IC	

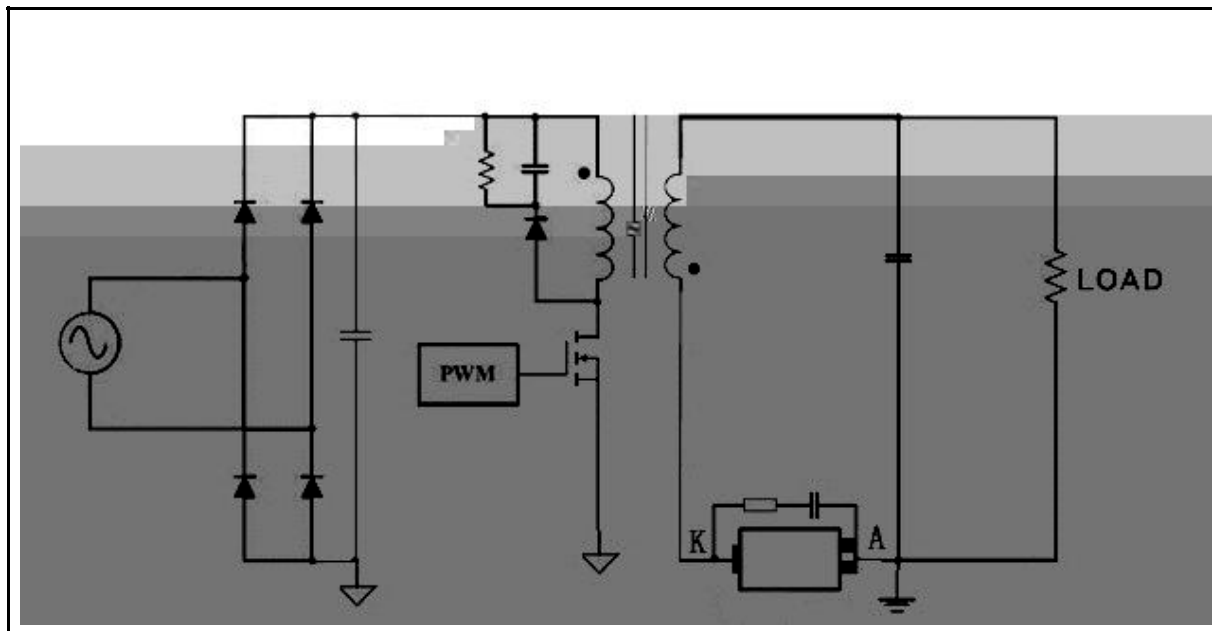
5.

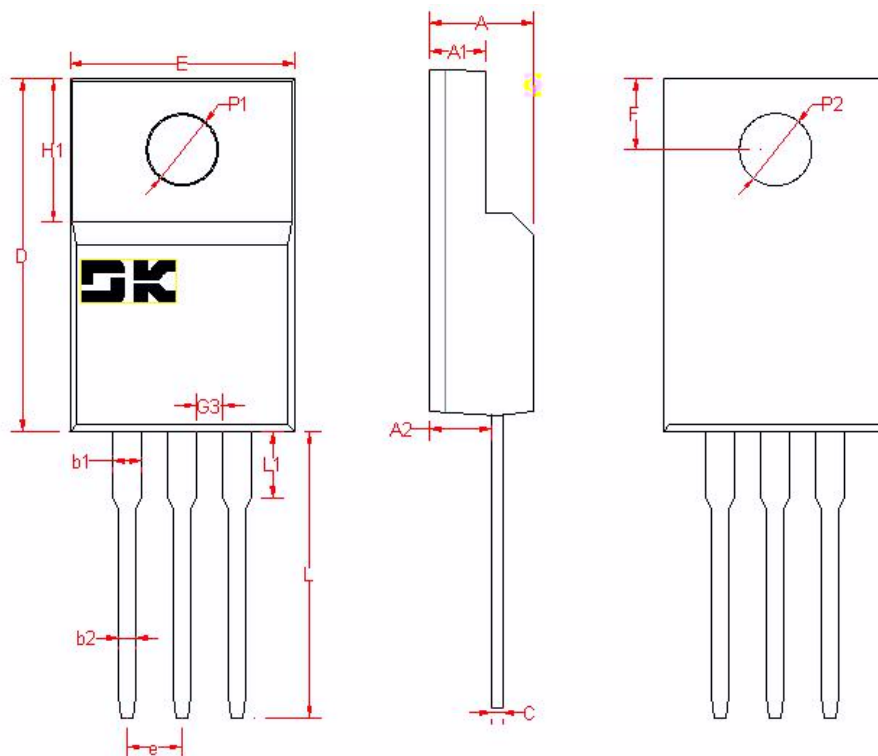
●			NMOS
●			

1.




2.





A	4.65	4.72	4.80
A1	2.50	2.55	2.60
A2	2.70	2.75	2.80
C	0.50	0.55	0.60
E	10.05	10.15	10.25
H1	6.70REF		
D	15.80	16.00	16.20
G3	1.20	1.30	1.40
b1	1.25	1.35	1.45
b2	0.80	0.85	0.90
e	2.54BSC		
L	12.90	13.00	13.10
L1	2.95	3.00	3.05
P1	3.12	3.15	3.18
P2	3.25	3.30	3.35
F	3.20	3.30	3.40

 <p><b>WARNING!</b> ESD SENSITIVE DEVICE</p>	<p>ESD</p>
---	------------

- 
- 
- 
- 
- 
- 
- 
  
-