

# TD356 Series

## SOP4, DC Input Photo Transistor Coupler

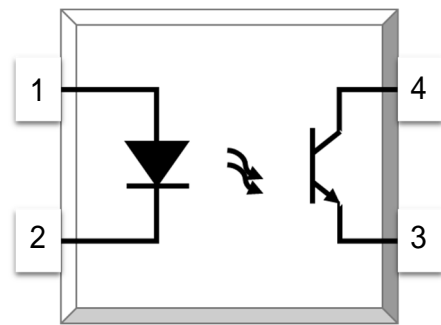
Description

Features

Applications

- 
- 
- 
- 

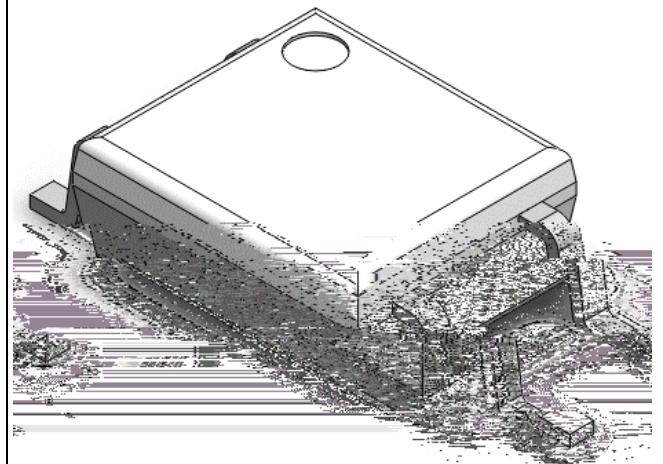
### SCHEMATIC



### PIN DEFINITION

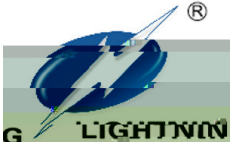
1. Anode
2. Cathode
3. Emitter
4. Collector

### PACKAGE OUTLINE



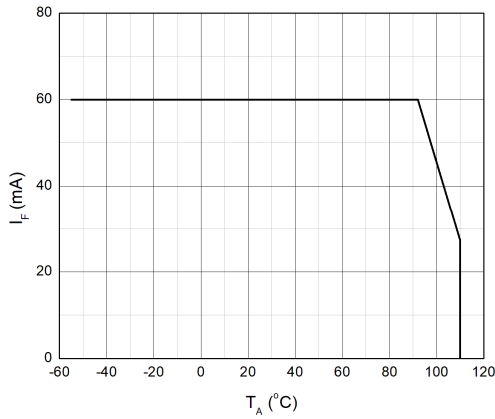




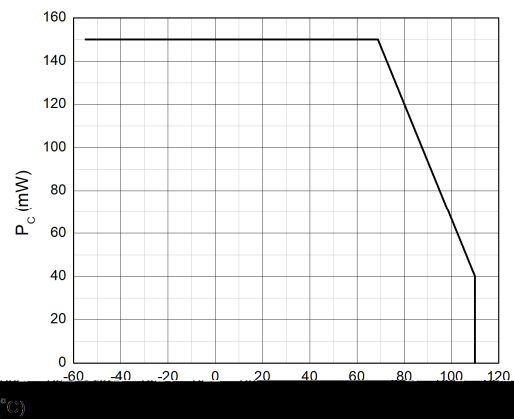


**CHARACTERISTICS - ES**

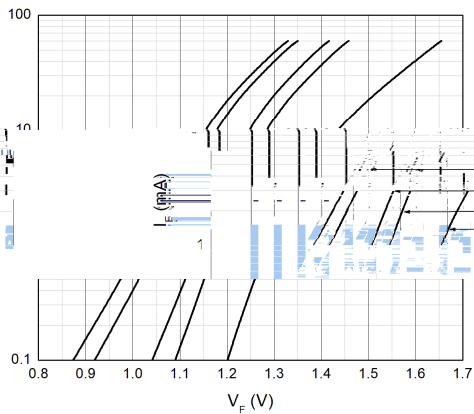
**Fig. 1 Forward Current vs. Ambient Temperature**



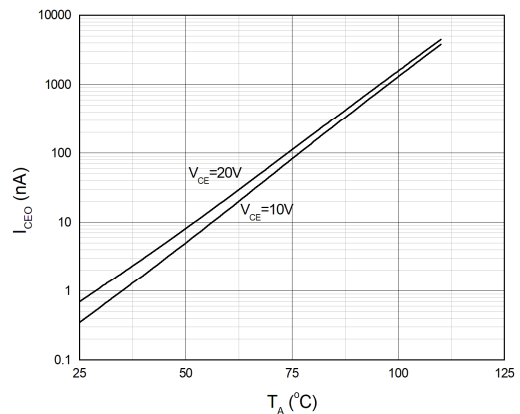
**Fig. 2 Collector Power Dissipation vs. Ambient Temperature**



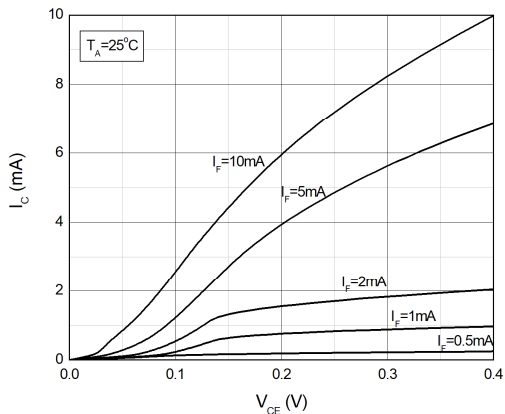
**Fig. 3 Forward Current vs. Forward Voltage**



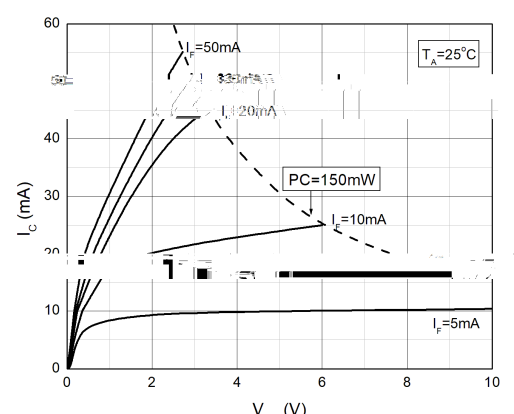
**Fig. 4 Collector Dark Current vs. Ambient Temperature**

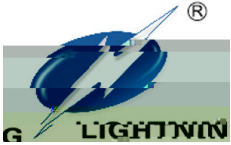


**Fig. 5 Collector Current vs. Collector-Emitter Voltage**



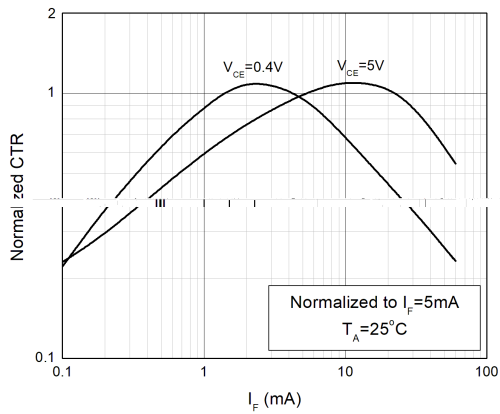
**Fig. 6 Collector Current vs. Collector-Emitter Voltage**



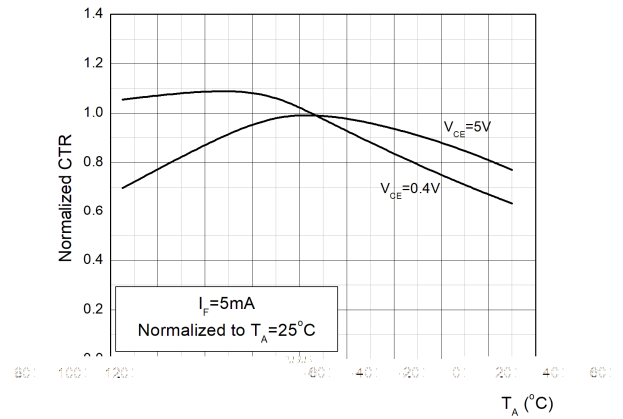


**CHARACTERISTICS - ES**

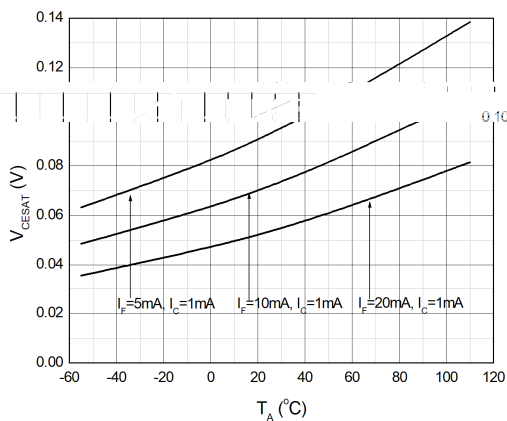
**Fig. 5 Normalized Current Transfer Ratio vs. Forward Current**



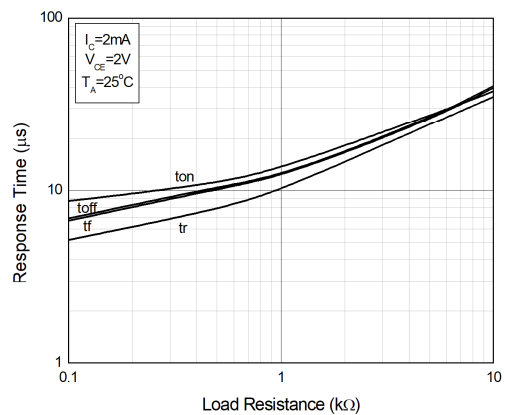
**Fig. 8 Normalized Current Transfer Ratio vs. Ambient Temperature**



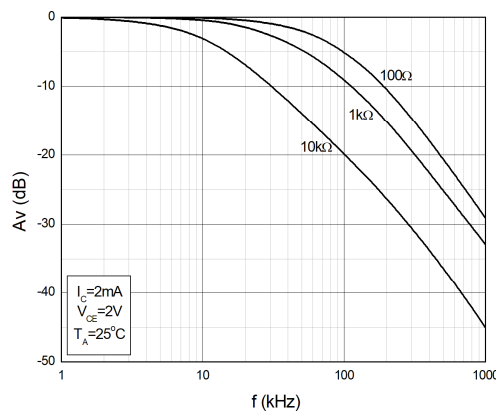
**Fig. 9 Collector-Emitter Saturation Voltage vs. Ambient Temperature**

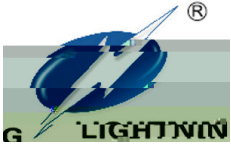


**Fig. 10 Switching Time vs. Load Resistance**



**Fig. 11 Frequency Response**





# TD356 Series

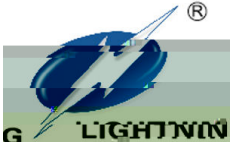
## SOP4, DC Input Photo Transistor Coupler

### TEST CIRCUITS

Fig. 12 Test Circuit of  $\tau_{on}$  Time

Fig. 13 Test Circuit of  $\tau_{off}$  Time

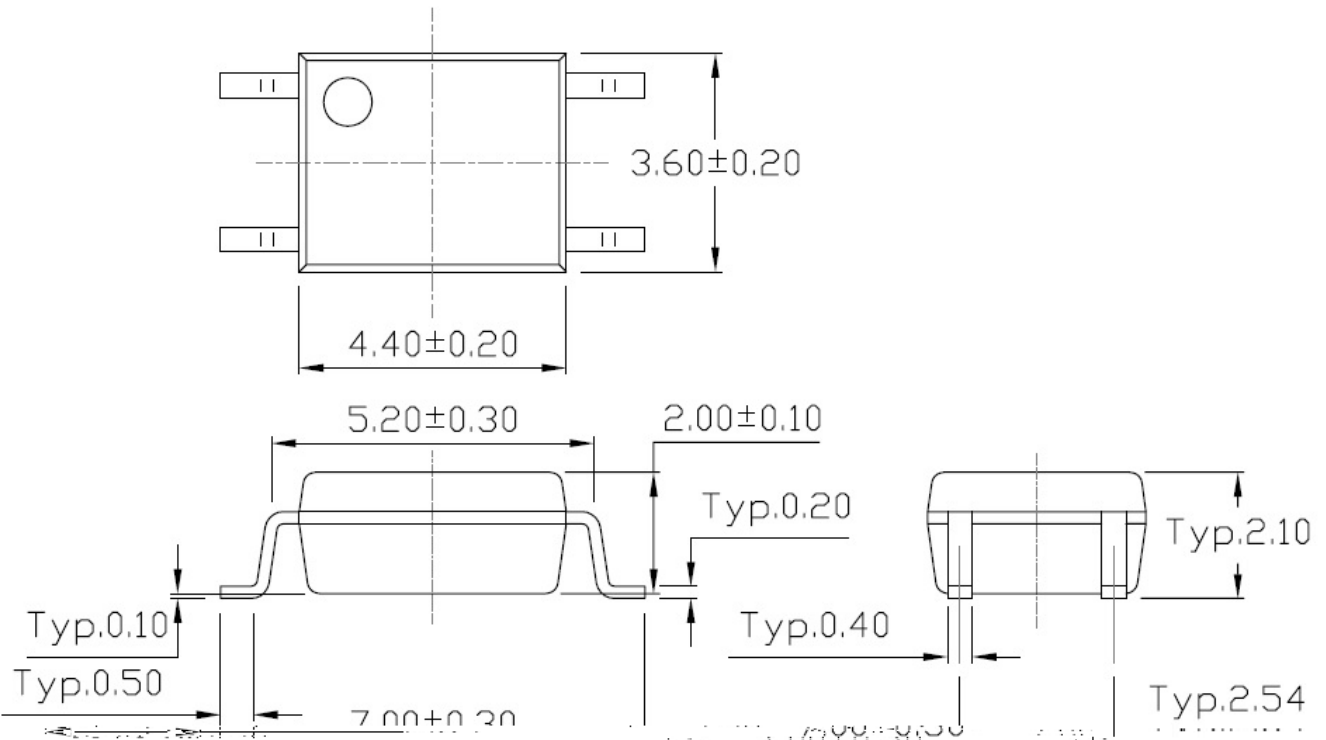
Fig. 14 Test Circuit of Frequency



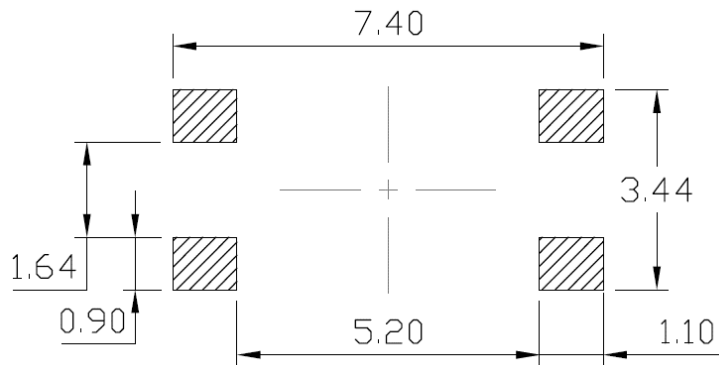
# TD356 Series

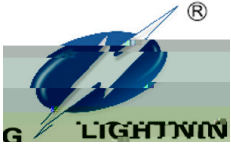
## SOP4, DC Input Photo Transistor Coupler

**PAC A ! E DIMENSIONS** (Dimension\$ in mm &nle\$\$ other / i\$e \$tated=



**Recommended Solder Mask** (Dimension\$ in mm &nle\$\$ other / i\$e \$tated=



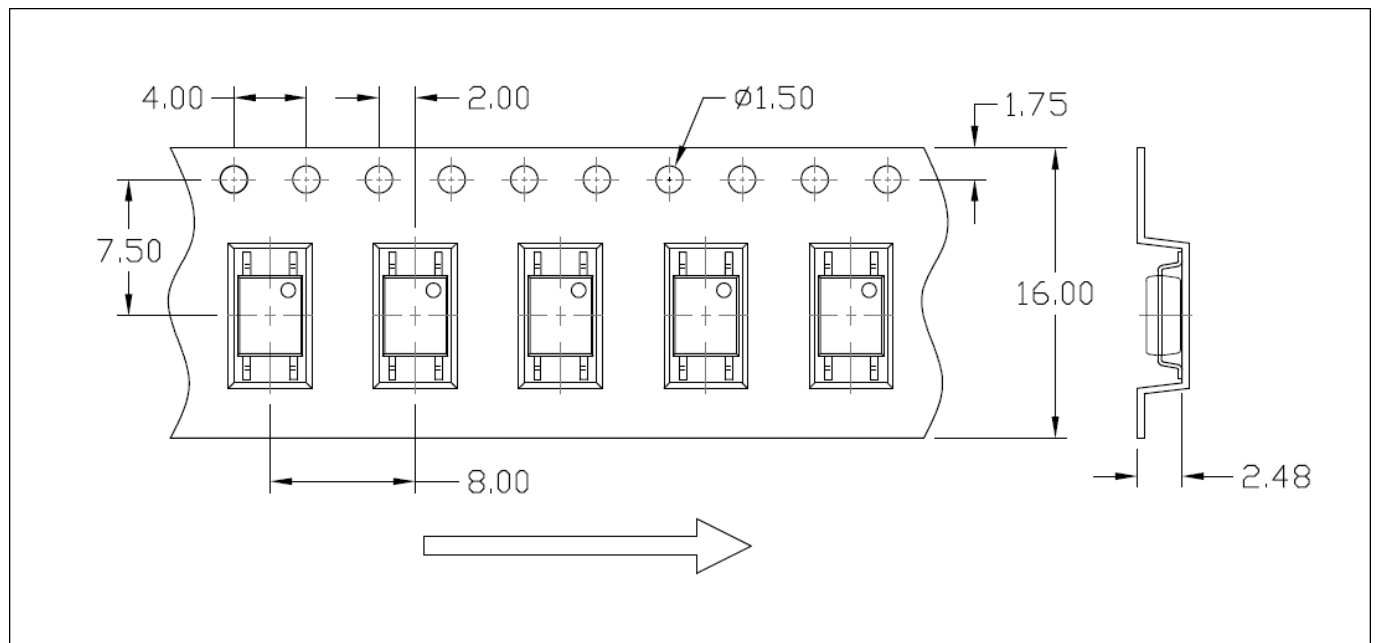


# TD356 Series

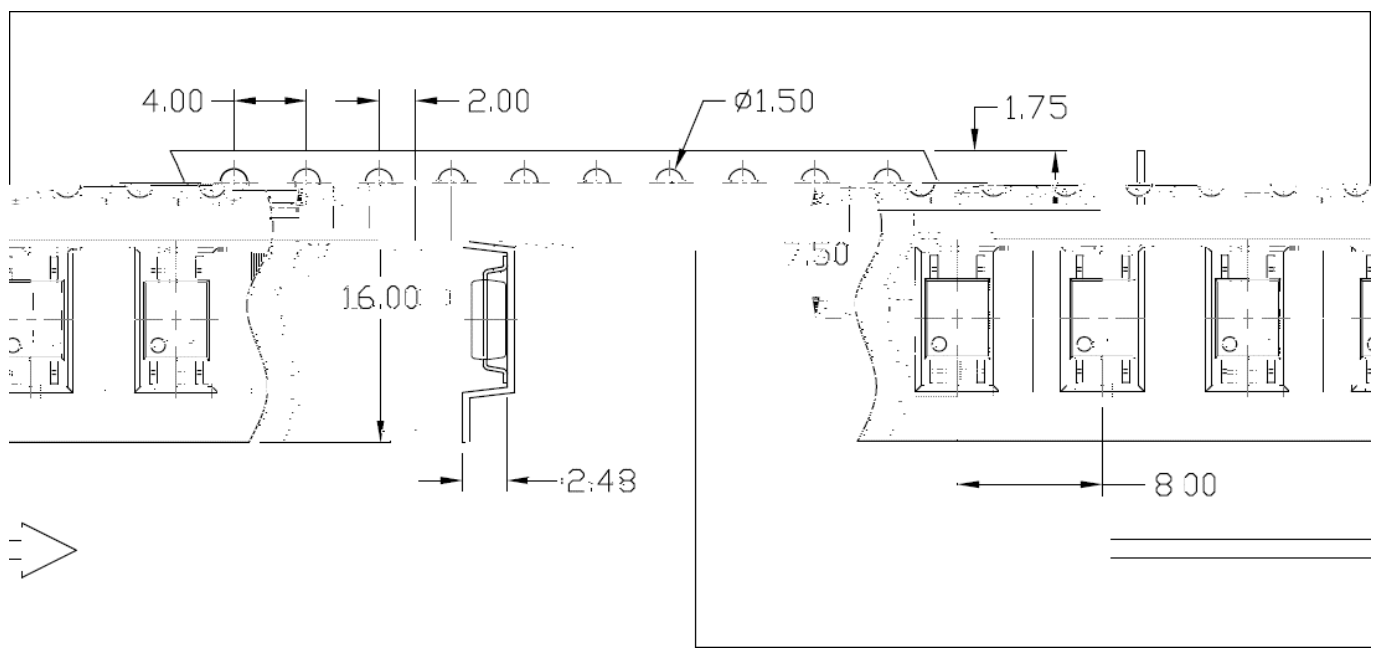
## SOP4, DC Input Photo Transistor Coupler

### TAPE SPECIFICATIONS (Dimension\$ in mm & nle\$\$ other / i\$e \$tated=

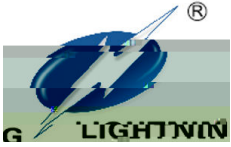
Option T1



Option T2





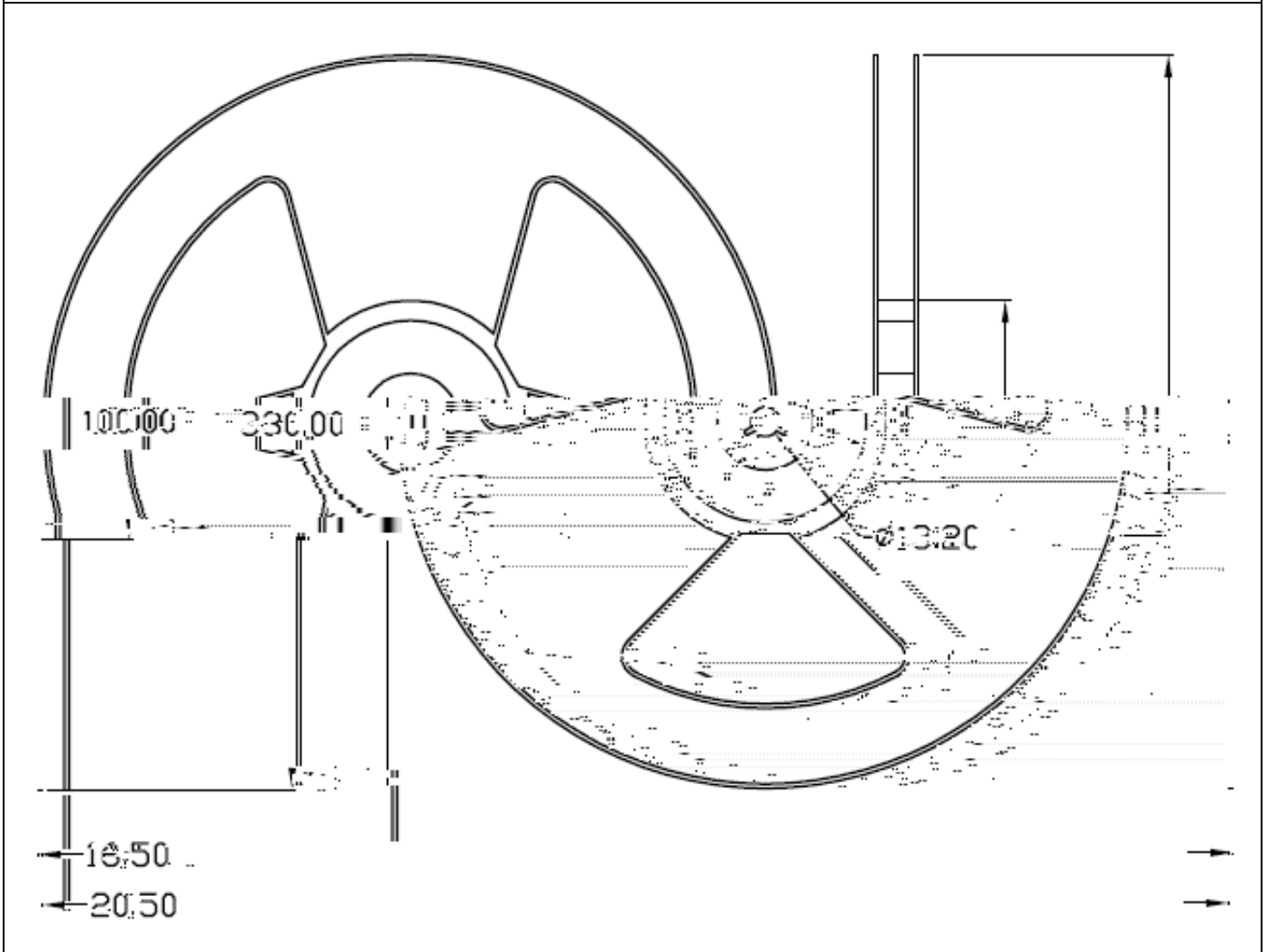


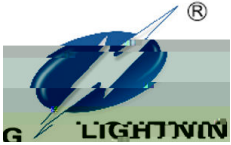
# TD356 Series

## SOP4, DC Input Photo Transistor Coupler

MECHANICAL SPECIFICATIONS (Dimensions in mm unless otherwise stated)

Option T1 > T2





# TD356 Series

## SOP4, DC Input Photo Transistor Coupler

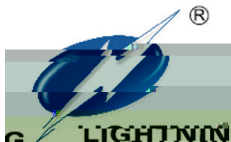
### SPECIFICATIONS

Inner 'o?

1232" \* - 2 - 2-

O&ter 'o?

1232" \*+ 2 4 2 4

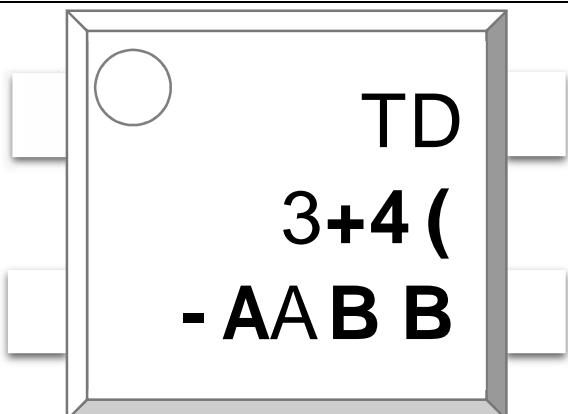


# TD356 Series

## SOP4, DC Input Photo Transistor Coupler

### ORDERING AND MARKING INFORMATION

#### MARKING INFORMATION



TD      @ Component  
 3+4    @ Part Number  
 (      @ (CT) )  
 -      @ -DE Option  
 AA     @ Fiscal Year  
 AA     @ Manufacturing Code  
 BB     @ B or B2

#### ORDERING INFORMATION

TD3+4(CD=3! -

#### PACKAGING INFORMATION

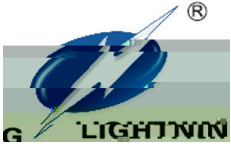

**福建天电光电有限公司**  
 FUJIAN LIGHTNING OPTOELECTRONIC CO., LTD.

Part No : XXXXXXXXXXXX      Bin Code : X  
  
 Lot No : XXXXXXXXXXXX  
 Date Code : XXXX  
 Q'ty : XXXX pcs  




#### PACKAGING INFORMATION

Option	Environment	Environment for Inner 10?	Environment for Outer 10?

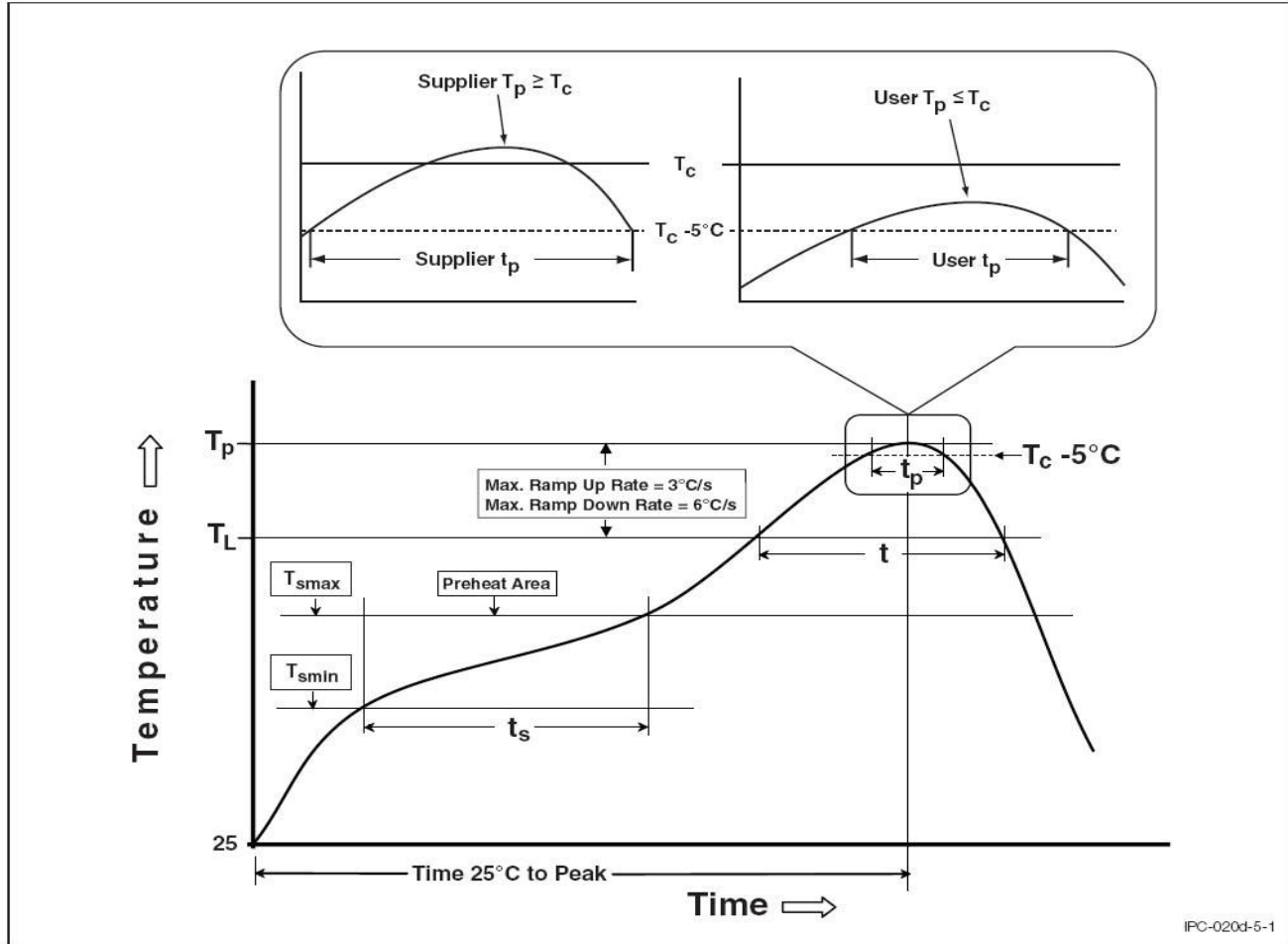


# TD356 Series

## SOP4, DC Input Photo Transistor Coupler

REF#OB INFO)MATION

REF#OB P)OFI#E

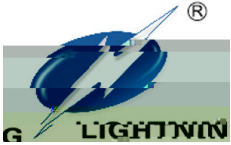


Profile Feature

Sn3P1 Assembly Profile

P13Free Assembly Profile

Profile Feature	Sn3P1 Assembly Profile	P13Free Assembly Profile



---

**TD356 Series**  
**SOP4, DC Input Photo Transistor Coupler**

DISC#AIME )