



TD356 Series

SOP4, DC Input Photo Transistor Coupler

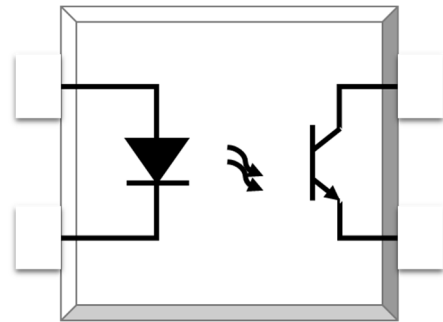
Description

Features

Applications

-
-
-
-

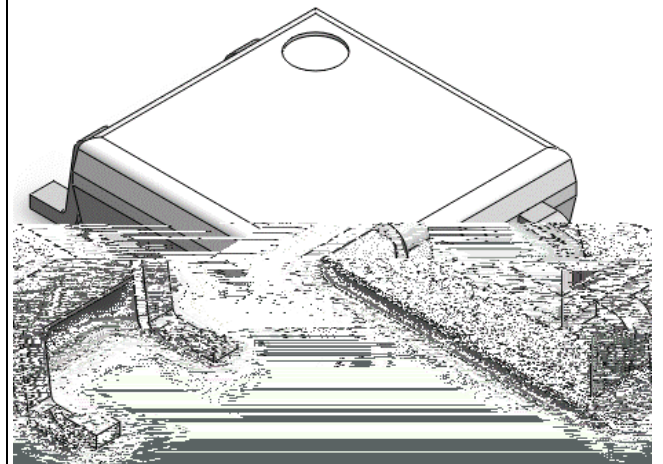
SCHEMATIC



PIN DEFINITION

1. Anode
2. Cathode
3. Emitter
4. Collector

PAC A!E O" T#INE





TD356 Series

SOP4, DC Input Photo Transistor Coupler

CHARACTERISTICS - ES

Fig. 1 Forward Current vs. Ambient Temperature

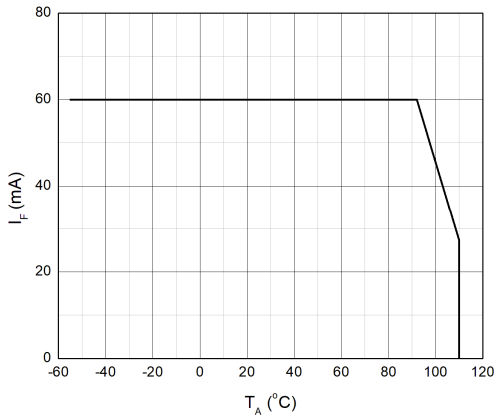


Fig. 2 Collector Power Dissipation vs. Ambient Temperature

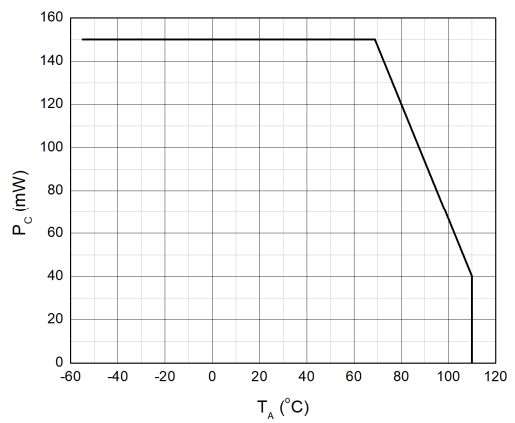


Fig. 3 Forward Current vs. Forward Voltage

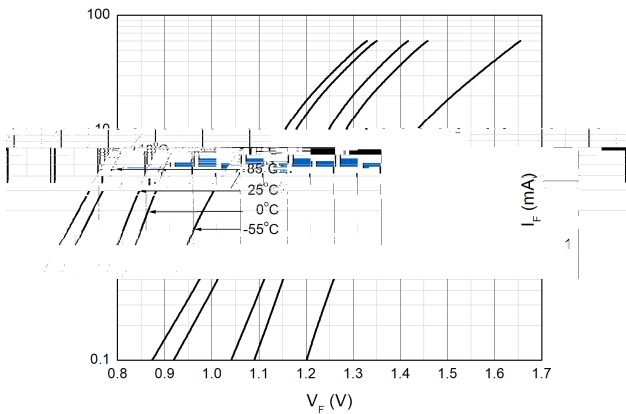


Fig. 4 Collector Dark Current vs. Ambient Temperature

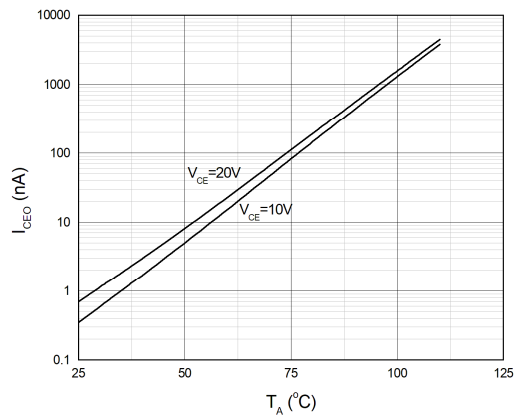


Fig. 5 Collector Current vs. Collector-Emitter Voltage

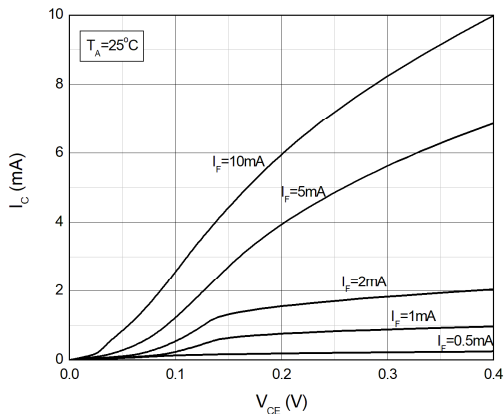
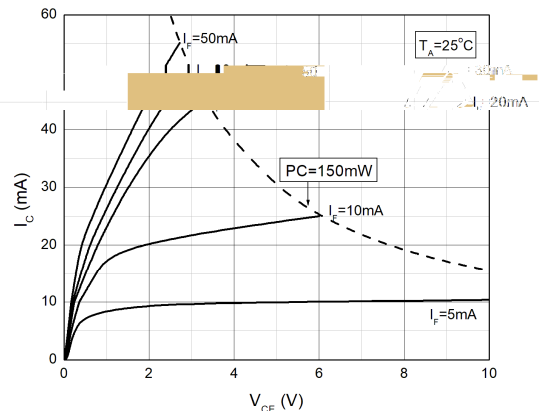


Fig. 6 Collector Current vs. Collector-Emitter Voltage





TD356 Series

SOP4, DC Input Photo Transistor Coupler

CHARACTERISTICS - ES

Fig. 5 Normalized Current Transfer Ratio vs. Forward Current

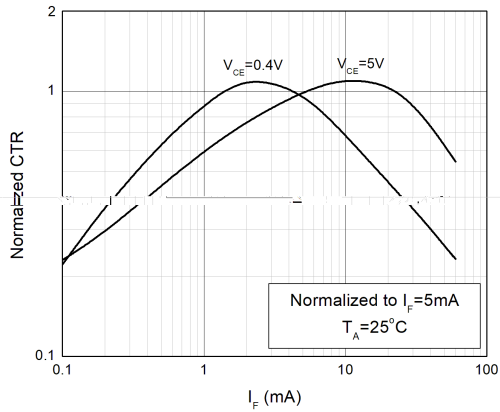


Fig. 8 Normalized Current Transfer Ratio vs. Ambient Temperature

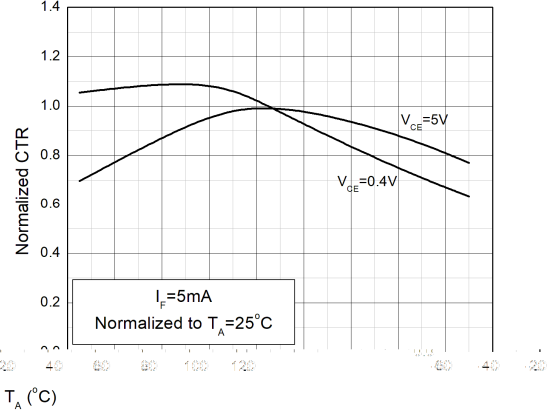


Fig. 9 Collector-Emitter Saturation Voltage vs. Ambient Temperature

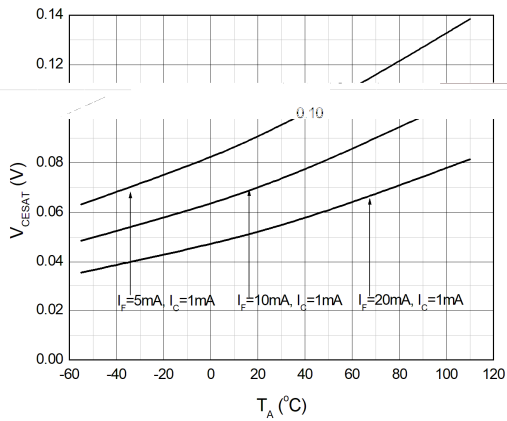


Fig. 10 Switching Time vs. Load Resistance

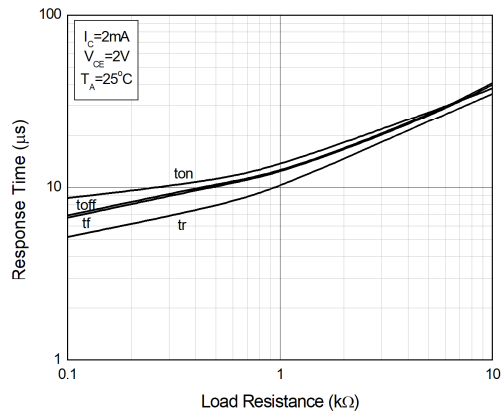
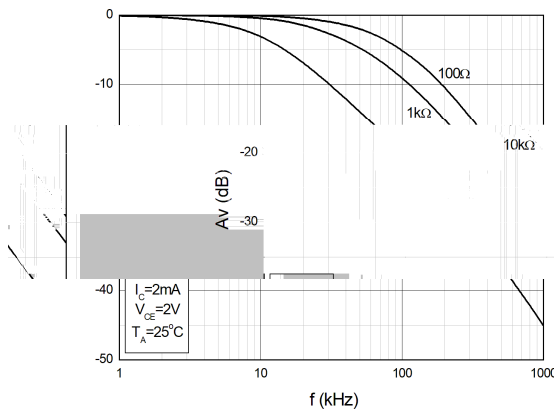


Fig. 11 Frequency Response





TD356 Series

SOP4, DC Input Photo Transistor Coupler

TEST CIRCUITS

Fig. 12 Test Circuit of t_{on} Time

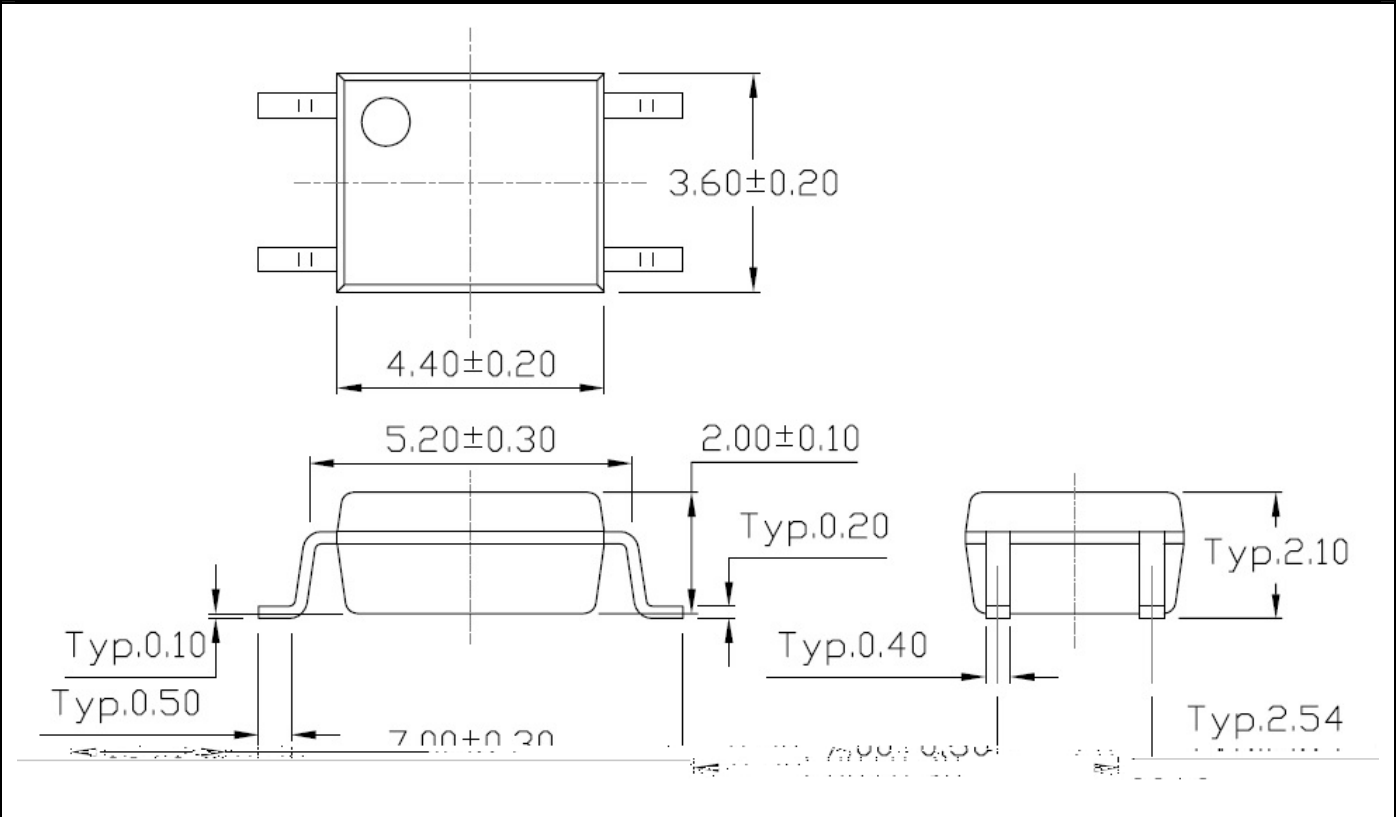
Fig. 13 Test Circuit of t_{off} Time



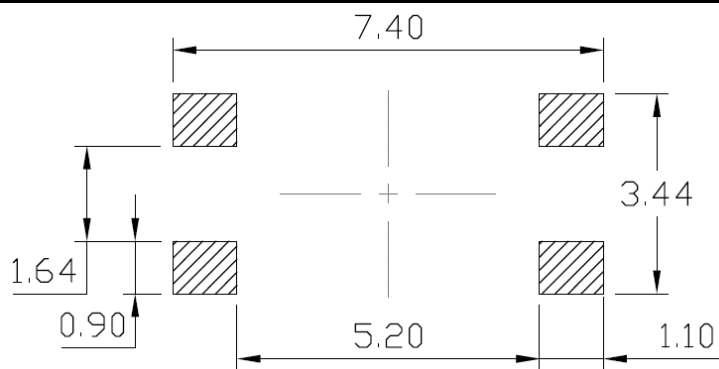
TD356 Series

SOP4, DC Input Photo Transistor Coupler

PACKAGE DIMENSIONS Dimension in mm unless otherwise stated



Recommended Solder Mask Dimension in mm unless otherwise stated



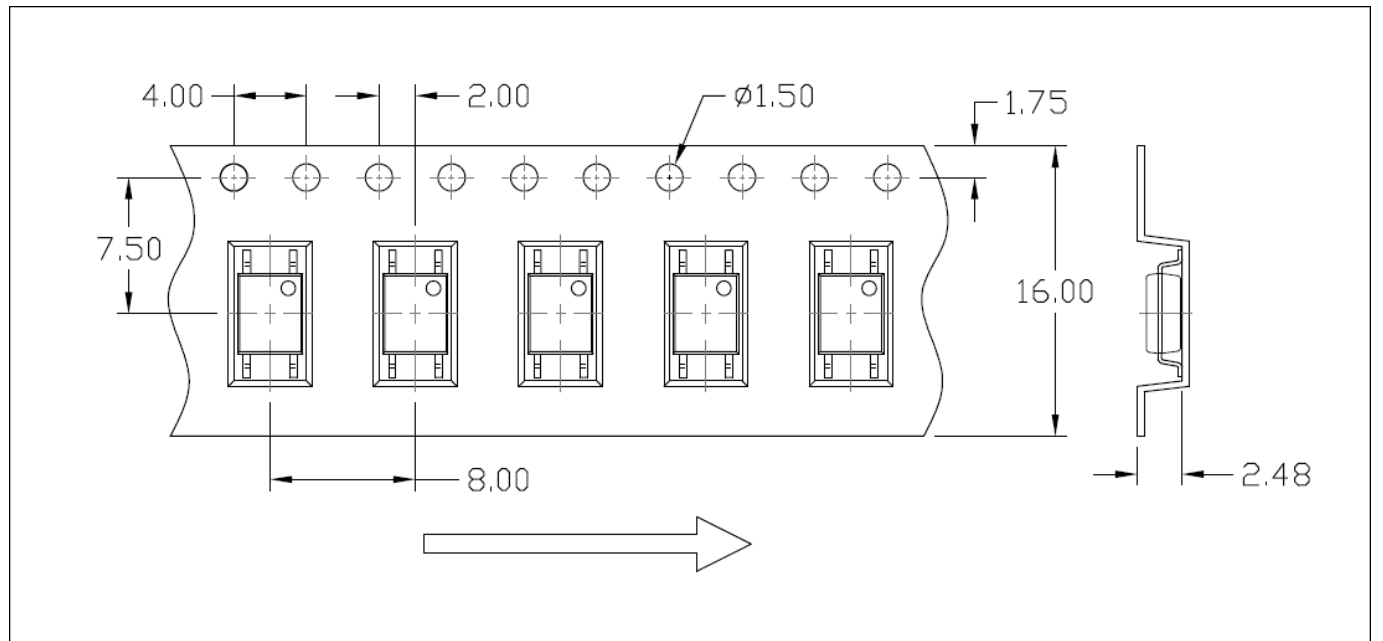


TD356 Series

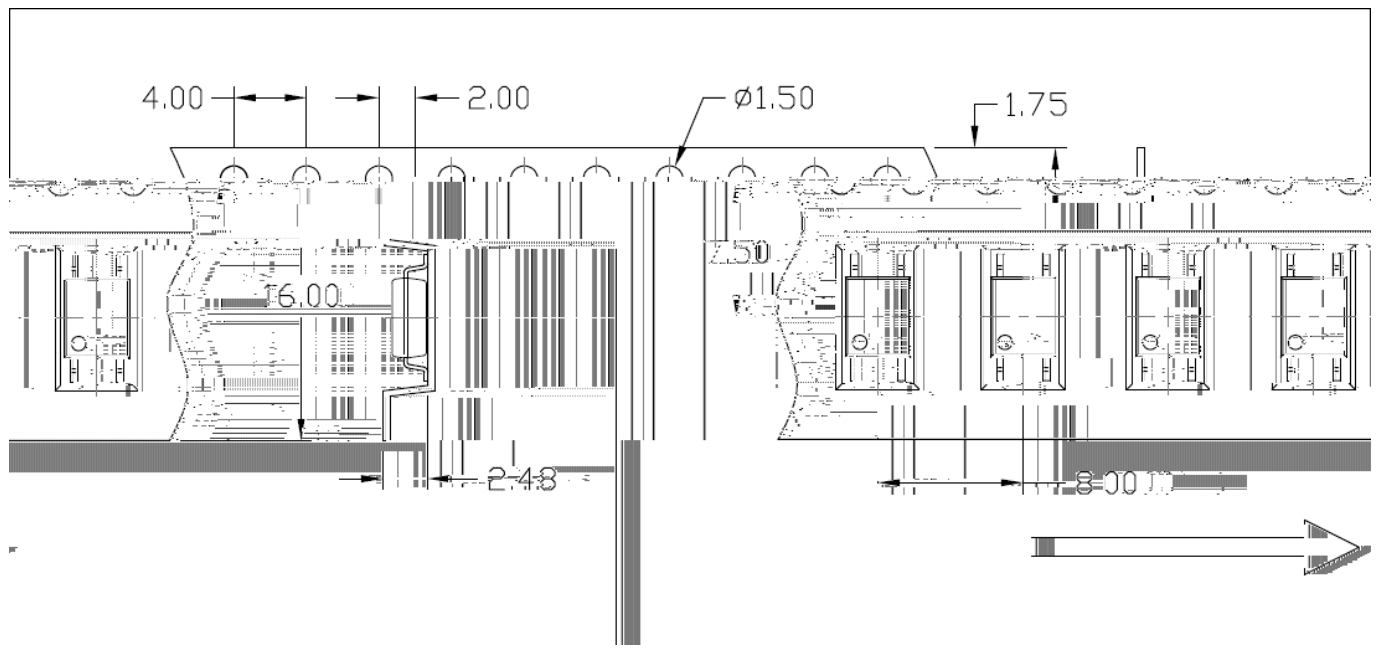
SOP4, DC Input Photo Transistor Coupler

CA)) IE) TAPE SPECIFICATIONS Dimension\$ in mm &nle\$\$ other / ise \$tated=

O%tion T1



O%tion T2



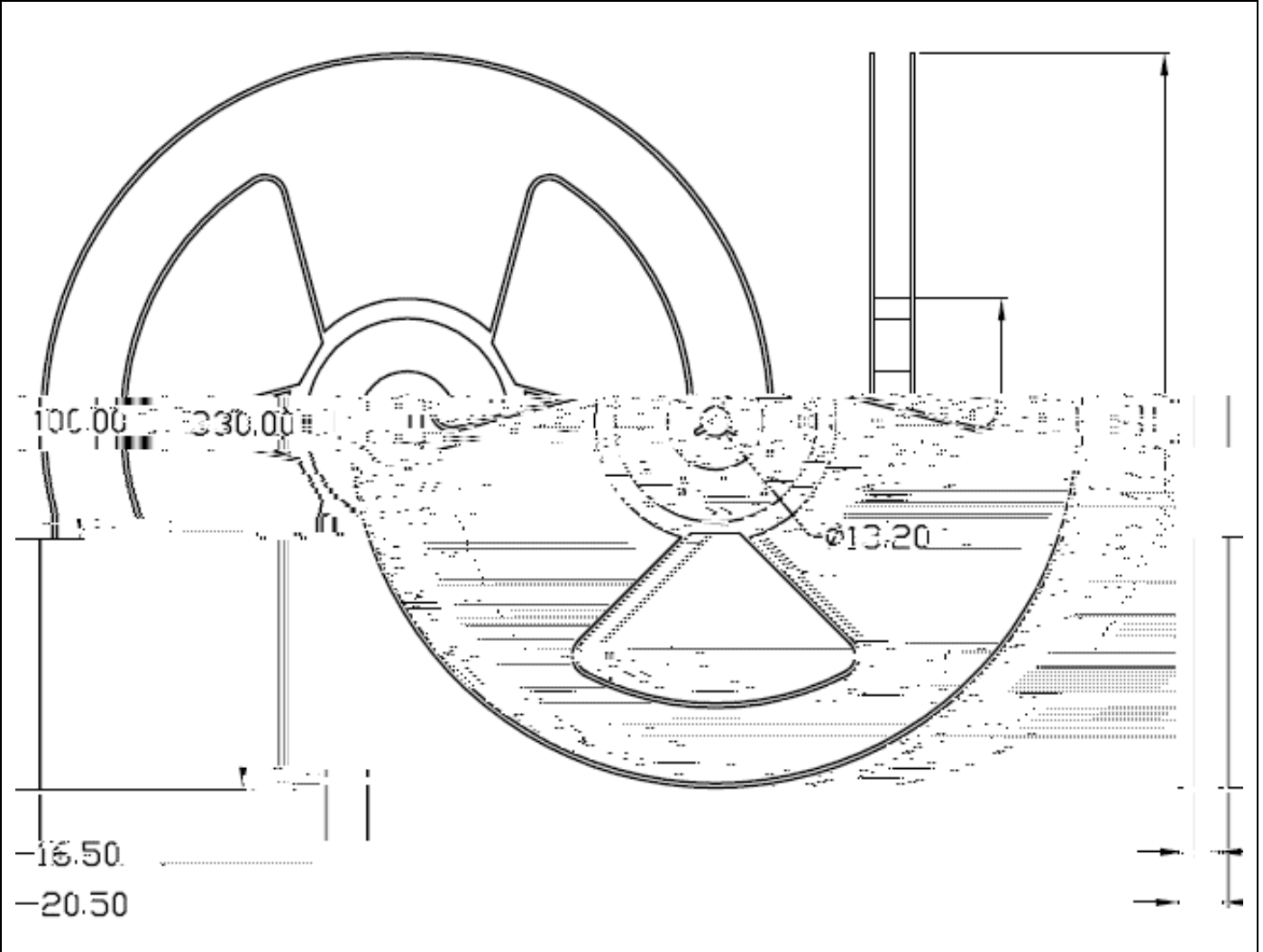


TD356 Series

SOP4, DC Input Photo Transistor Coupler

MECHANICAL SPECIFICATIONS Dimensions in mm unless otherwise stated

Option T1 > T2





TD356 Series

SOP4, DC Input Photo Transistor Coupler

1. ELECTRICAL SPECIFICATIONS

Inner Pin

1 2 3 2" * - 2 - 2 -

Outer Pin

1 2 3 2" * + 2 4 2 4

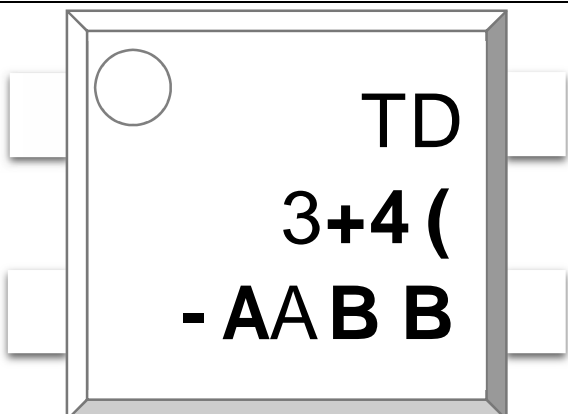


TD356 Series

SOP4, DC Input Photo Transistor Coupler

ORDERING AND MARKING INFORMATION

MARKING INFORMATION








TD @ Company
 3+4 @ Part Number
 (@ CT)
 - @ -DE
 A @ Fiscal Year
 A @ Manufacturing Code
 B B @ B or B2

ORDERING INFORMATION

TD356 (CD=3! -

MARKING INFORMATION


福建天电光电有限公司
 FUJIAN LIGHTNING OPTOELECTRONIC CO., LTD.

Part No : XXXXXXXXXXXX Bin Code : X

 Lot No : XXXXXXXXXXXX
 Date Code : XXXX
 Q'ty : XXXX pcs




PACKAGING INFORMATION

Option	Environment	Environment for Inner 10?	Environment for Outer 10?



TD356 Series

SOP4, DC Input Photo Transistor Coupler

PACKAGE INFORMATION

PACKAGE PROFILE

Profile Features

Sn3P1 Assembly Profile

P13 Free Assembly



TD356 Series

SOP4, DC Input Photo Transistor Coupler

DISC#AIME)