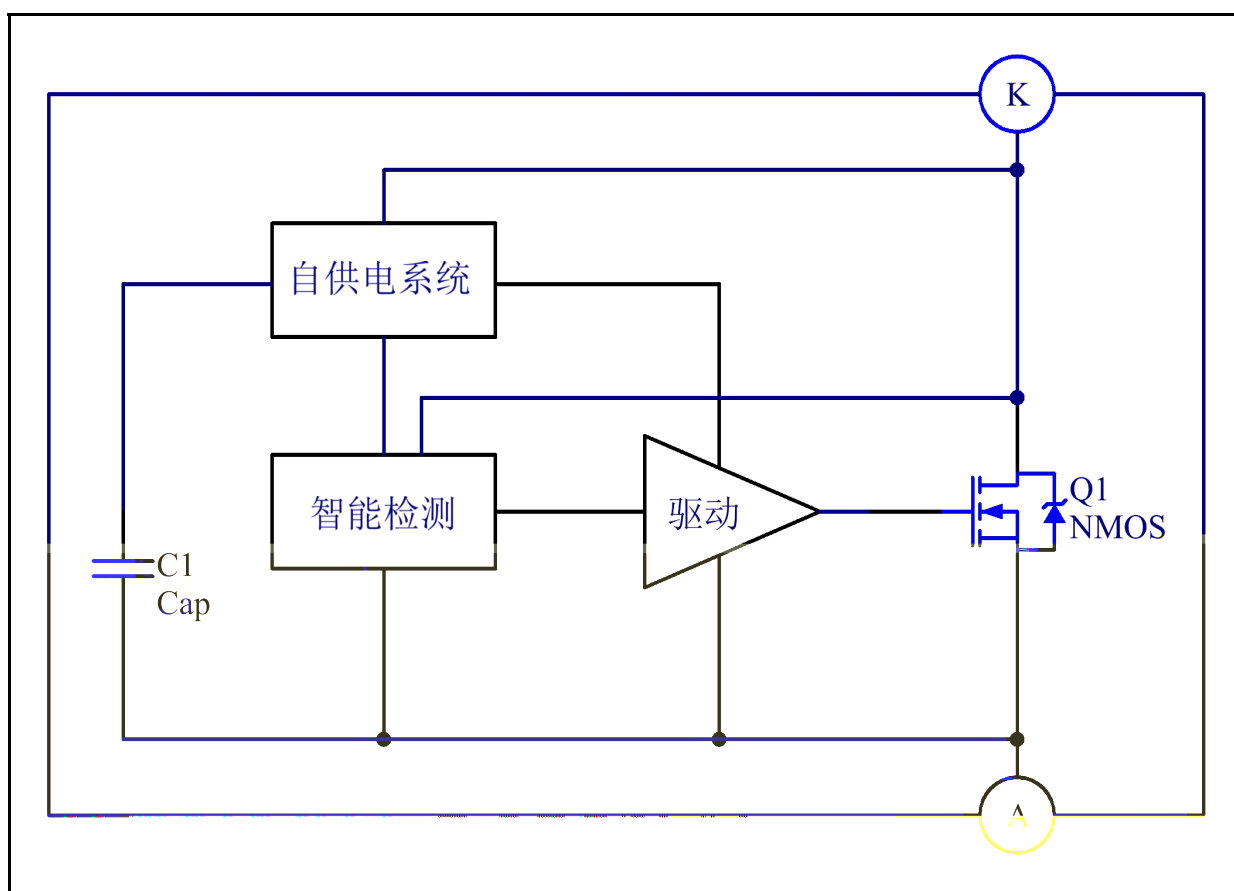





45

, DK5V100R15SC1

5A



NMOS	$V_{(BR)DSS}$	100			V
NMOS	$I_{DSCDC}$			40	A
NMOS	$I_{DSPDC}$			55	A
TO220	$P_{DMAX}$		180		W
	$R_{JA}$		62		/W
	$R_{JC}$		0.9		/W
	$T_{STG}$	-55		155	
	$T_J$	-40		150	
			260/5S		
ESD(HBM)			4000		V
ESD(MM)			350		V

 $T_A = 25$ 

	$V_{CC\_ON}$			5.6		V
	$V_{CC\_OFF}$			3.3		V
	$V_{OVP}$			8.3		V
NMOS	$V_{ON}$	K		-200		mV
NMOS	$T_{DON}$				150	ns
NMOS	$T_{DOFF}$				50	ns
NMOS	$T_{ON\_MAX}$			20		$\mu$ s
	$T_D$			400		ns
	$F_{S\_MAX}$				150	KHz
NMOS	$R_{DS\_ON}$				15	m

A

K

DK5V100R15SC1

1.

				NMOS		K
A			VCC	VCC		VCC
VCC_ON	NMOS		VCC	VCC_ON		
VCC			VCC_OFF			

2.

A	K		VON	NMOS		K
K			CCM			NMOS
TON	NMOS		TON	NMOS		MOS
O		MOS				

3.

			CCM			NMOS
	A	K	RC		K	

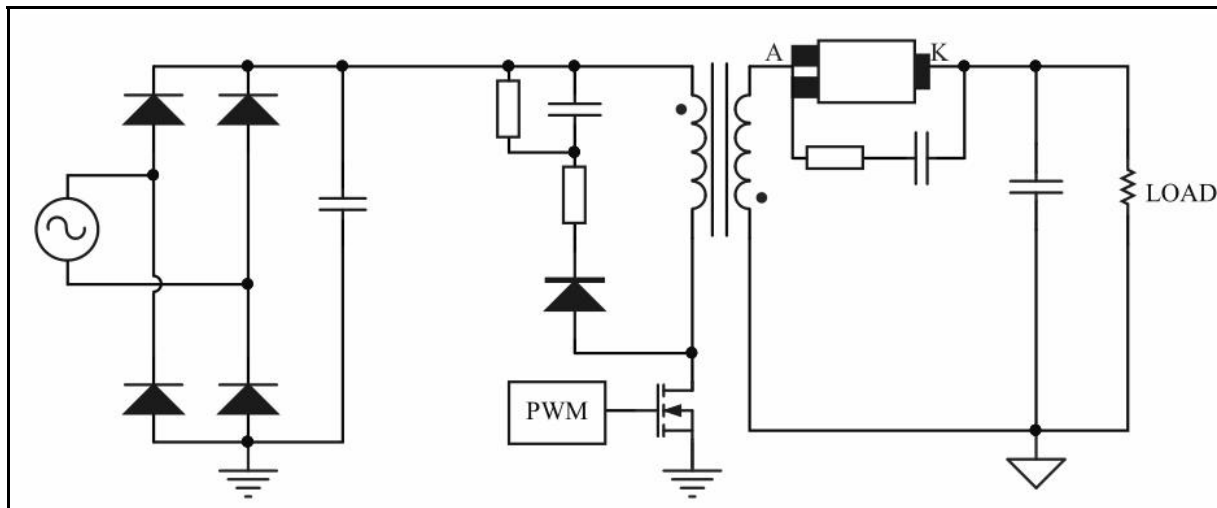
4.

NMOS		
	IC	

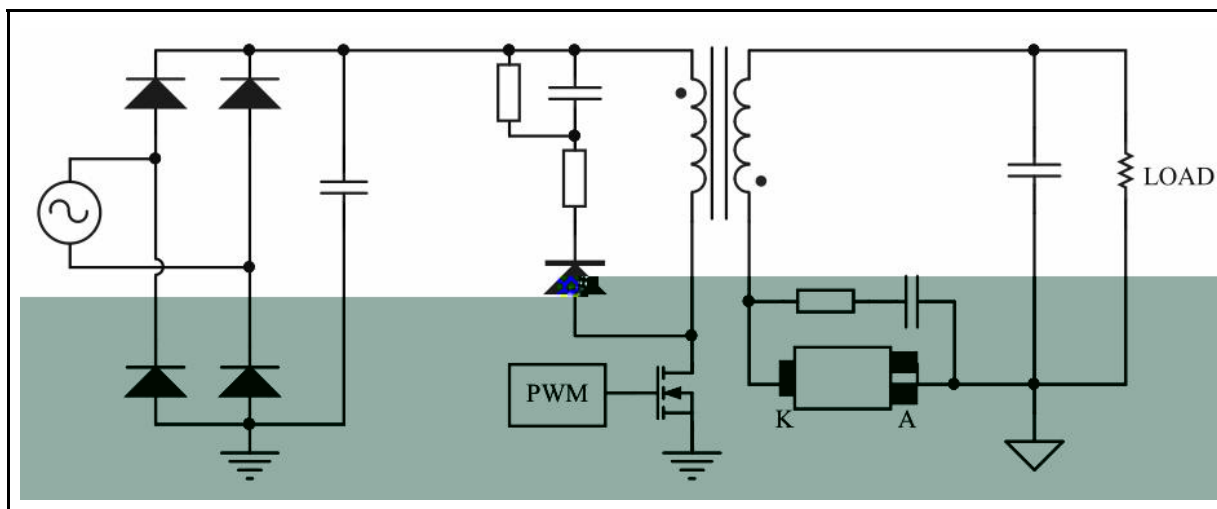
5.

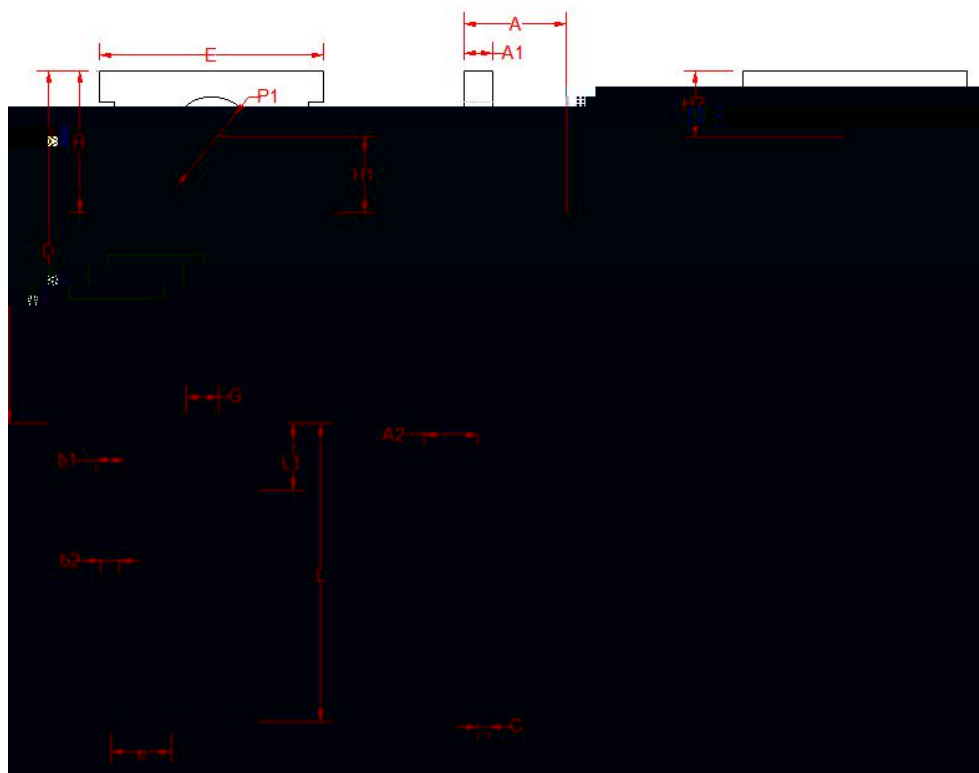
●			NMOS
●			

1.



2.





A	4.55	4.60	4.65
A1	1.25	1.30	1.35
A2	2.30	2.35	2.40
C	0.48	0.52	0.55
D	15.50	15.70	15.90
H	6.3REF		
H1	2.50	2.70	2.90
H2	3.40	3.60	3.80
E	9.80	10.00	10.20
G	1.10	1.20	1.30
b1	1.20	1.30	1.40
b2	0.70	0.80	0.90
e	2.54BSC		
L	13.00	13.20	13.40
L1	2.90	3.00	3.10
P1	3.50	3.54	3.60



- ▼
- ▼
- ▼
- ▼
- ▼
- ▼
- ▼
  
- ▼