

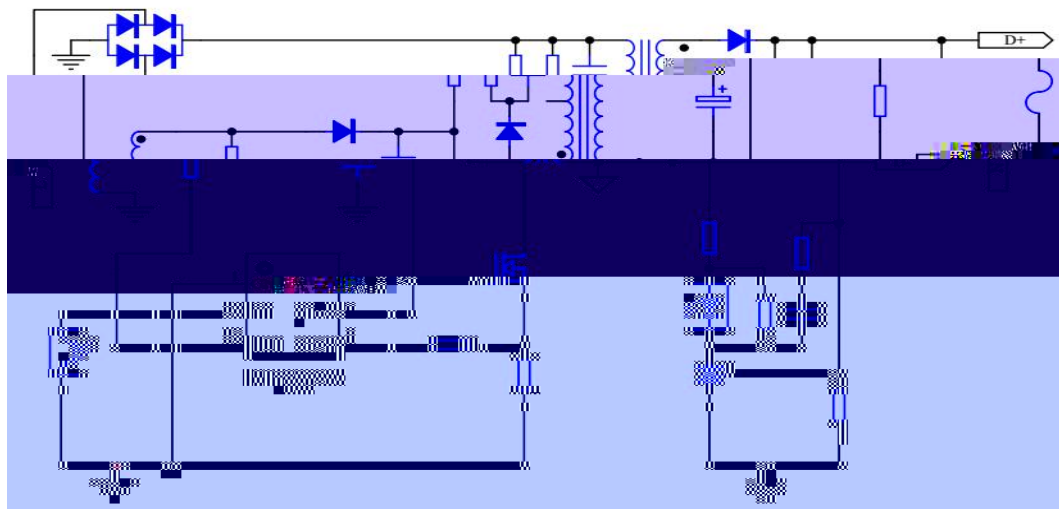
M6362 PWM MOSFET V  
 IC (65KH ) 65KH @  
 @  
 @ &  
 EMI

M6362 VCC

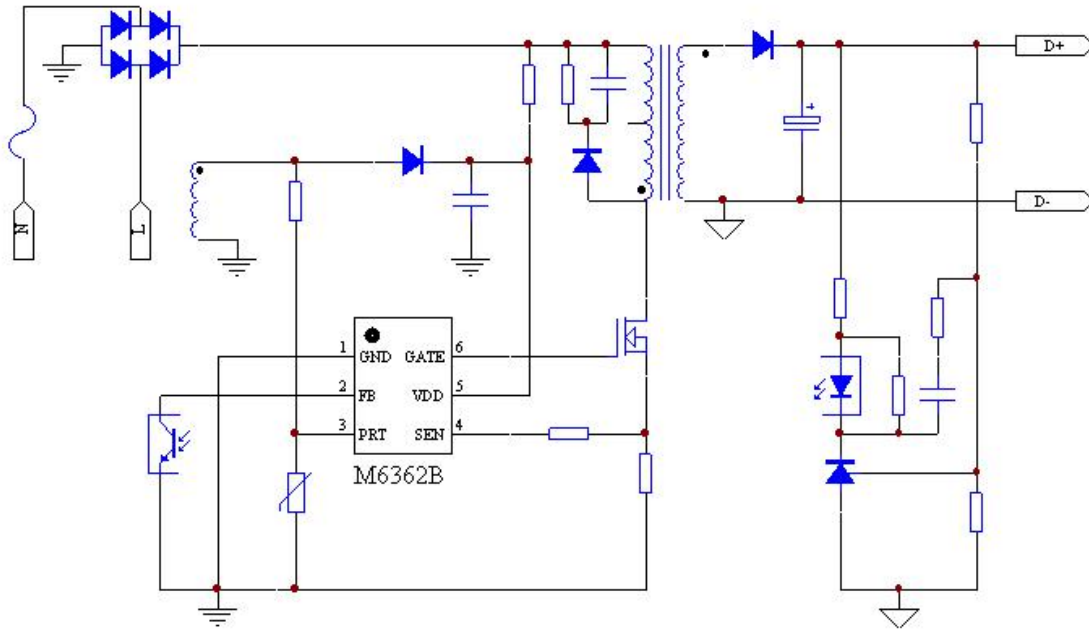
M6362 (OLP) (OVP) EMI (UVLO) (VCC OVP) (OLP) (OVP) PRT  
 (OCP) VCC (UVLO)  
 VCC (VCC OVP)  
 25KH OVP

M6362 23 - 6 M6362B ( NTC PRT  
 ) (OTP)

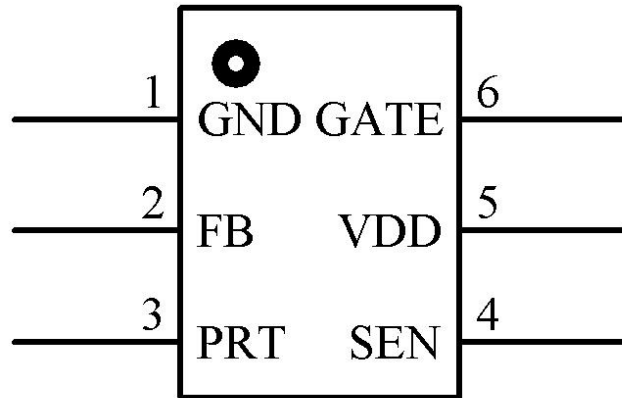
/



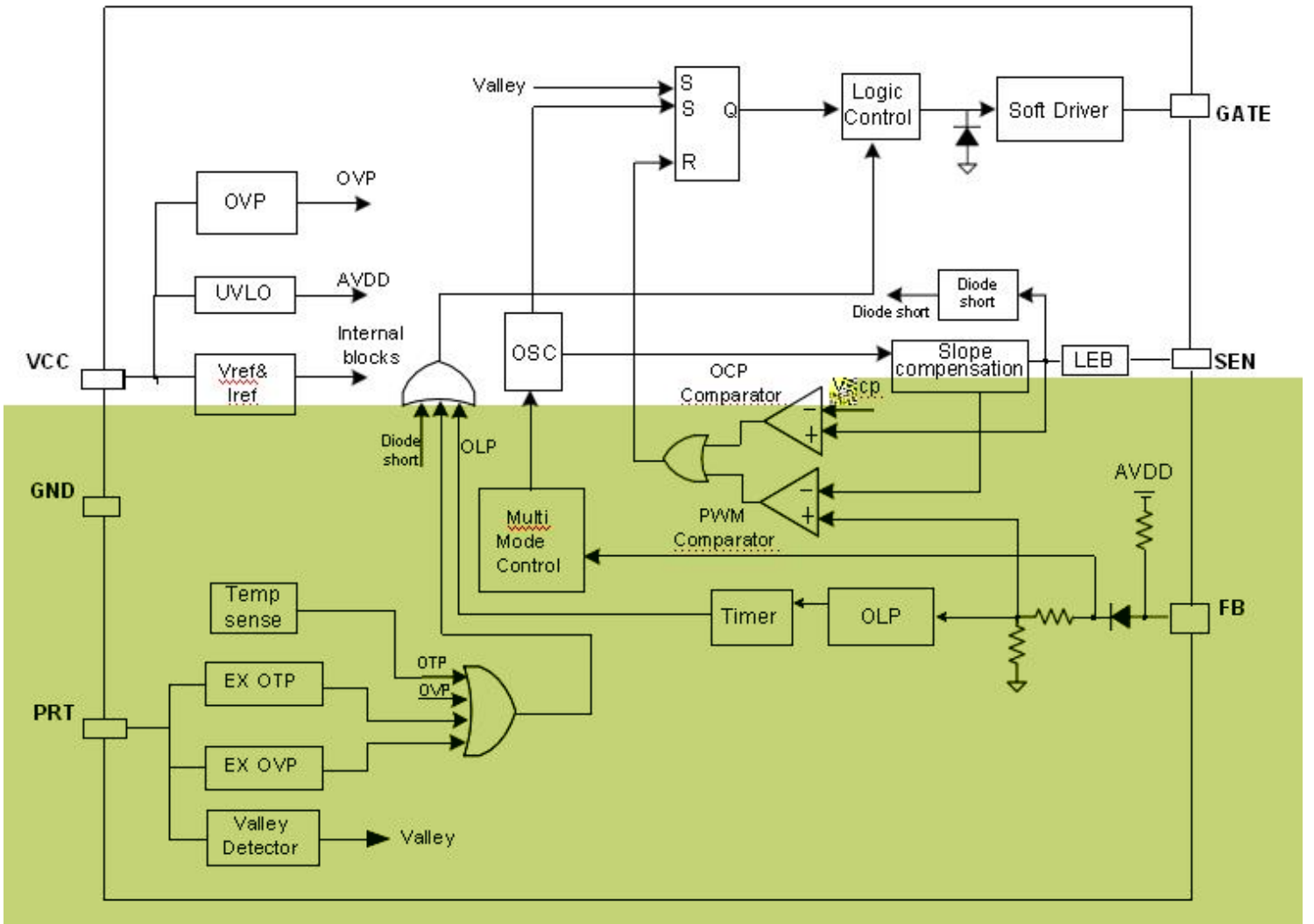
M6362A



2 M6362B



		NTC          PRT

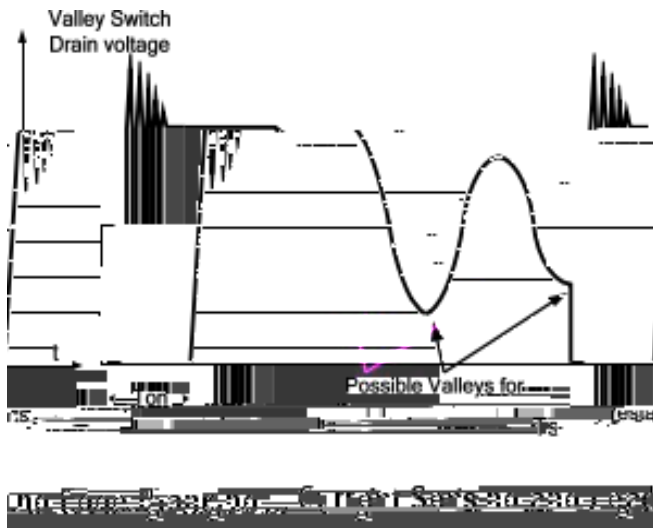
<b>(VDD)</b>						
I <sub>l-a</sub>	VCC	VCC=UVLO(OFF)-1V, VCC		2	5	A
I <sub>VCC_O a</sub>		VDD=18V,SEN=4V, FB=3.5V, I(VDD)		2.5	3	A
I <sub>VCC_B</sub>		CS=0V,FB=0.5V, I(VDD)		0.6	0.7	A
UVLO(ON)	VCC		6.8	7.3	7.8	V
UVLO(OFF)	VCC		16	17	18	V
V <sub>-</sub>	PMOS			10		V
OVP	VCC	FB=3V,CS=0V. VCC	26.5	28	29.5	V
<b>(FB Pin)</b>						
V <sub>FB_O</sub>	V <sub>FB</sub>			5.1		V
A <sub>c</sub>	PWM	V <sub>FB</sub> / V <sub>CS</sub>		3.5		V/V
M <sub>a</sub> c c		@ VCC=18V,V <sub>FB</sub> =3V,V <sub>CS</sub> =0V	77	80	83	%
V <sub>-</sub>				2.1		V
V <sub>-b</sub> _H				1.33		V
V <sub>-b</sub> _L				1.23		V
I <sub>FB_S</sub>	FB	FB		0.21		A
V <sub>TH_OLP</sub>		FB		4.4		V
T <sub>_OLP</sub>				60		
Z <sub>FB_IN</sub>				30		K
<b>(SENPin)</b>						
SST_CS	SEN			2		
T <sub>ba</sub>				300		
T <sub>_OC</sub>				90		
V <sub>TH_OC</sub>		0	0.43	0.45	0.47	V
V <sub>TH_OC_C a</sub>	OCP	SEN		0.72		V
<b>PRT pin</b>						
IRT		OTP	94	100	106	A
VOTP			0.95	1	1.05	V

I <sub>OV</sub>	OVP		170	180	190	A
T <sub>OV</sub>	OVP			5		C c
OTP				150		
OTP				120		
F <sub>osc</sub>		VDD=18V,FB=3V, CS=0V	60	65	70	KH
f <sub>osc</sub>				+/-6		%
F <sub>osc</sub>				32		H
T <sub>osc</sub>	-			1		%
T <sub>osc</sub>	-			1		%
F <sub>B</sub>				25		KH
VOL	I =5 A	@ VDD=18V,			1	V
VOH	I =20 A	@ VCC=18V,	6			V
V <sub>ca</sub>				11		V
T <sub>ca</sub>		-1.2V 10.8V @ CL=1000 F		100		
T <sub>ca</sub>		10.8V 1.2V @ CL=1000 F		30		

M6362

PWM

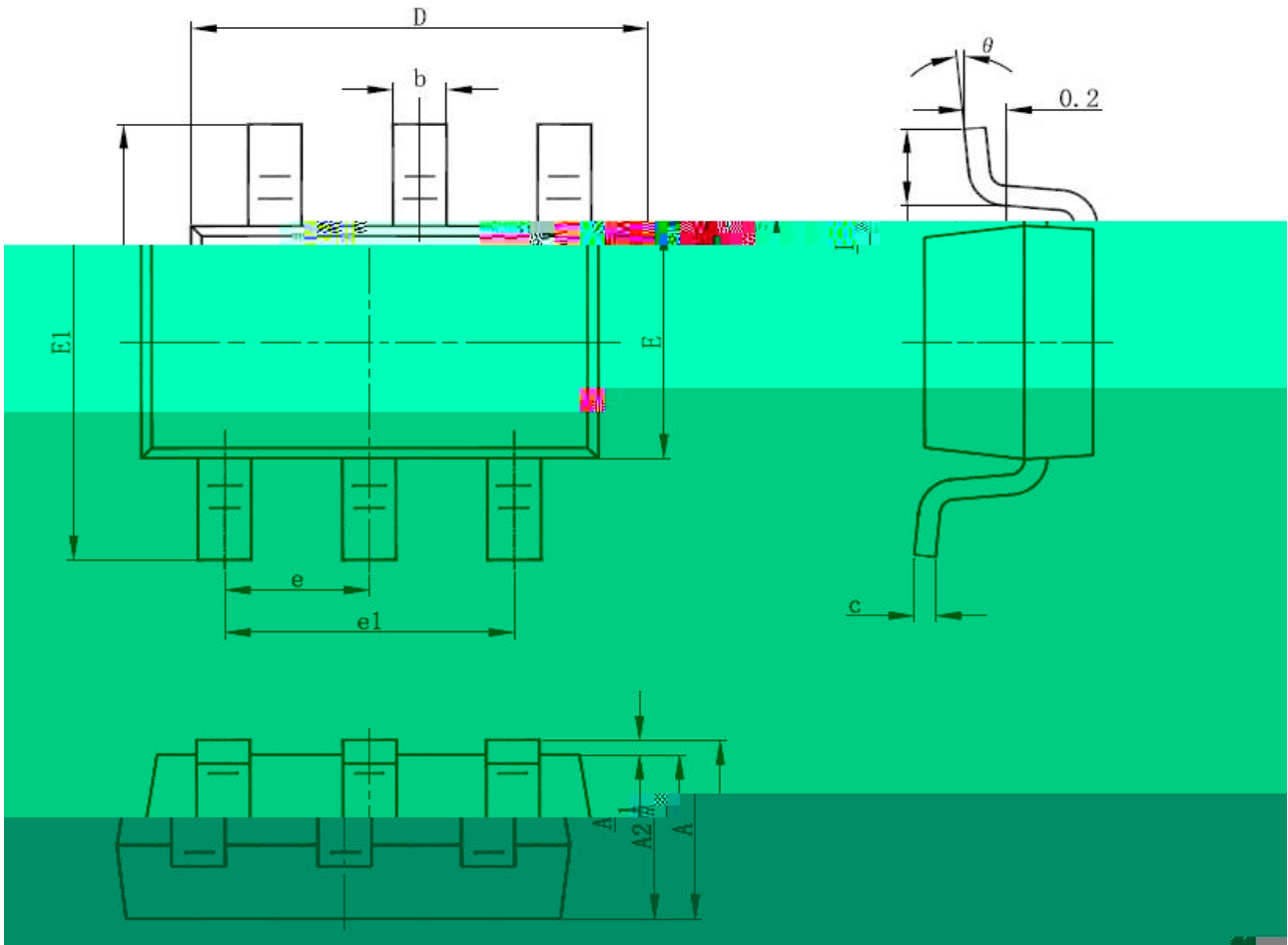
IC



M6362	PWM						SEN
	MOSFET					MOSFET	
MOSFET		PWM			FB		
		PWM				CCM	
MOSFET							MOSFET
							EMI
VDD	(UVLO)	(OTP)	VDD		(OVP)	(OCP)	OCP
T_OLP			VDD		UVLO	FB	



SOT-23-6L PACKAGE OUTLINE DIMENSIONS



Symbol	Dimensions In Millimeters		Dimensions In Inches	
	Min	Max	Min	Max
A	1.000	1.450	0.039	0.057
A1	0.000	0.150	0.000	0.006
A2	0.900	1.300	0.035	0.051
b	0.300	0.500	0.012	0.020
c	0.080	0.220	0.003	0.009
D	2.800	3.020	0.110	0.119
E	1.500	1.726	0.059	0.068
E1	2.600	3.000	0.102	0.118
	0.950 (BSC)		0.037 (BSC)	
1	1.800	2.000	0.071	0.079
L	0.300	0.600	0.012	0.024
	0	8	0	8

