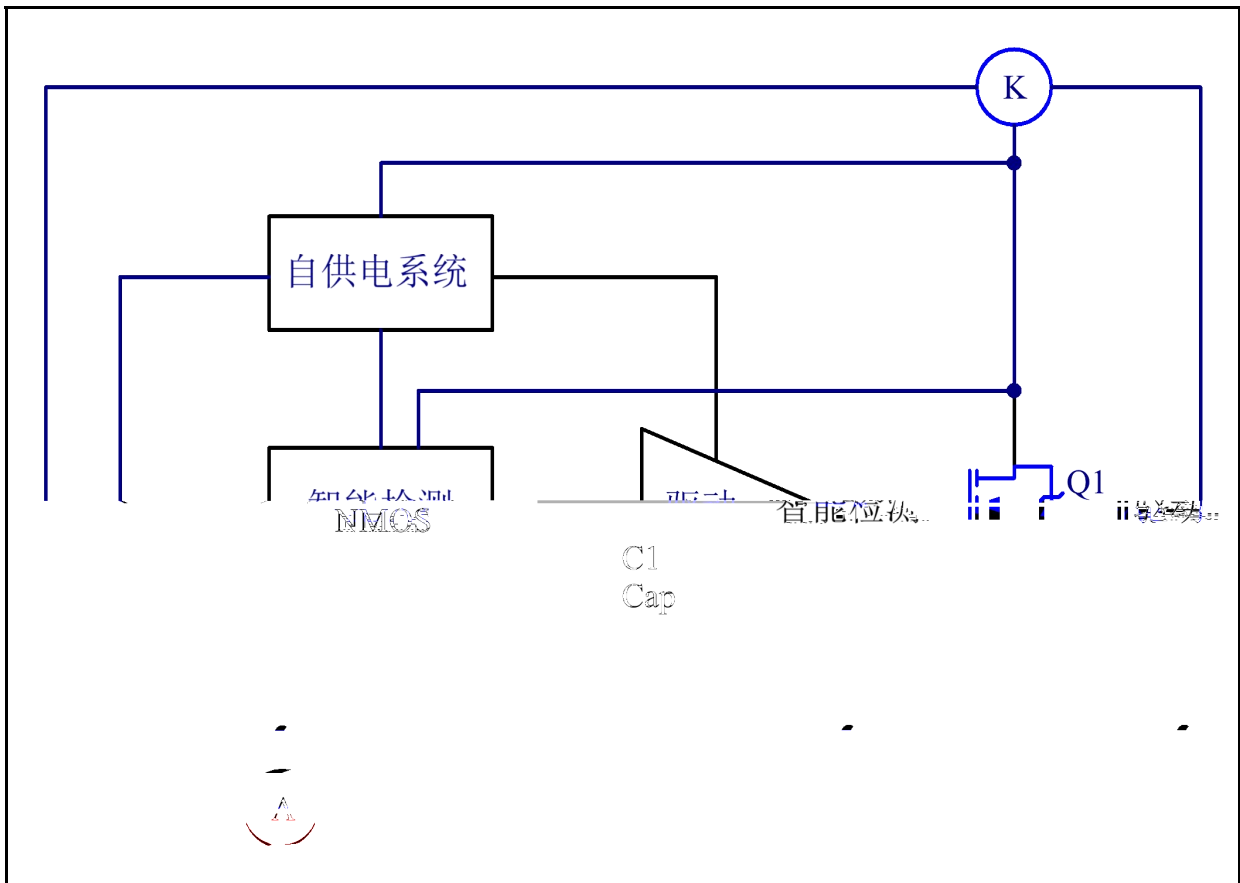


DK5V60R20S	85-265VAC	9V, 2.4A
------------	-----------	----------



&						
NMOS						

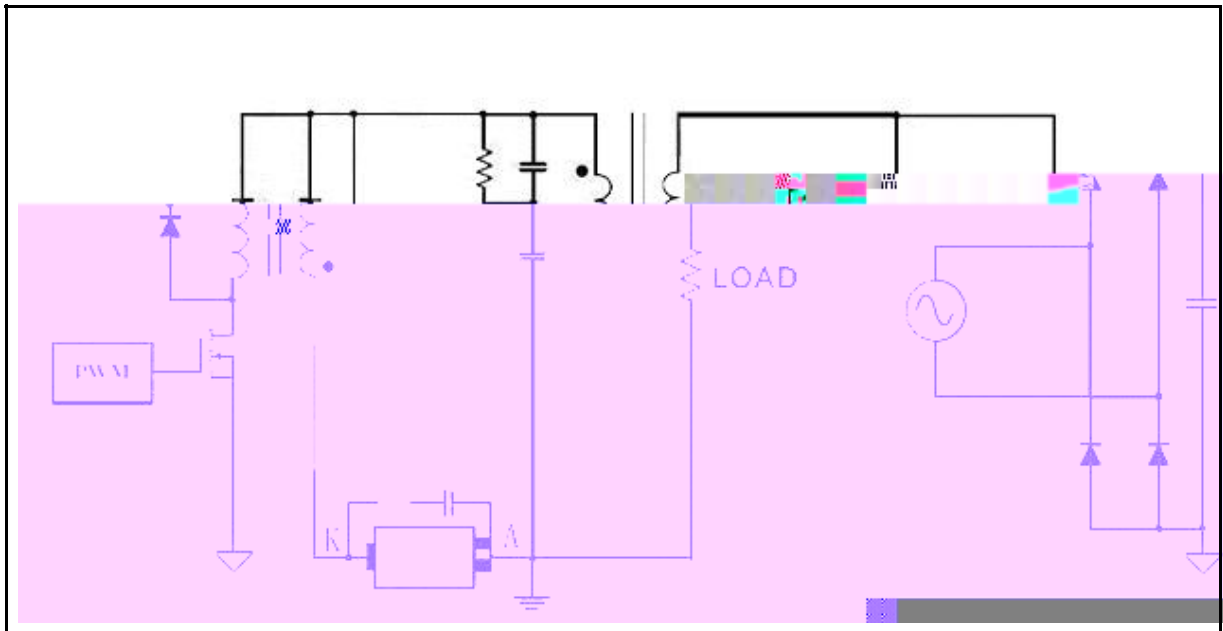
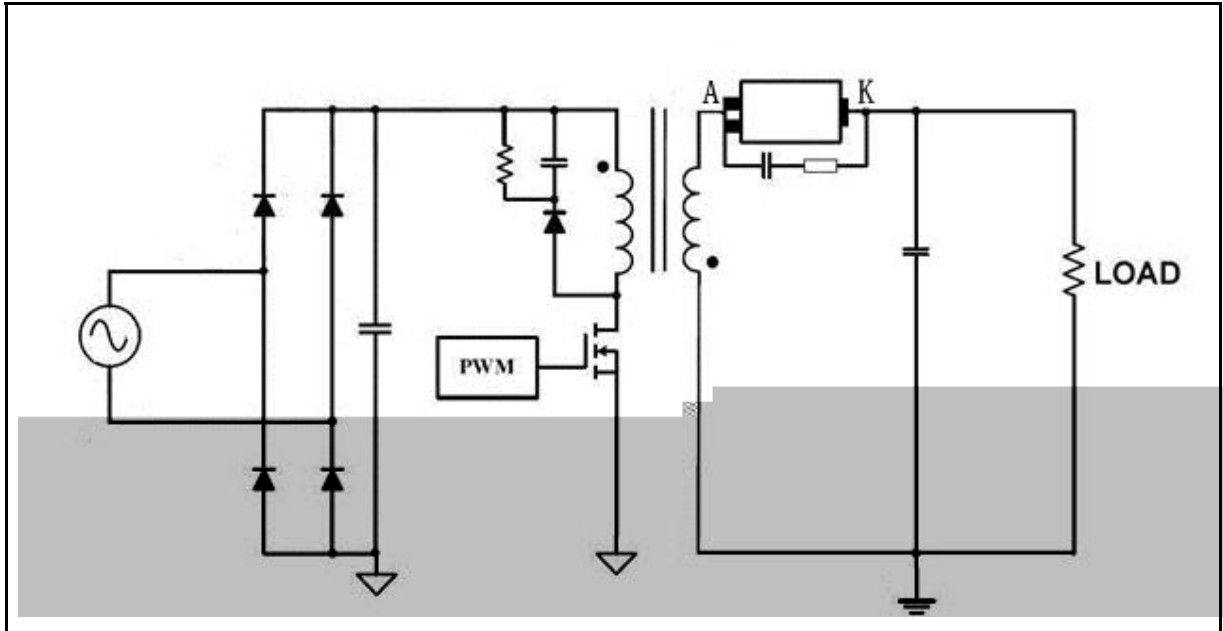
NMOS

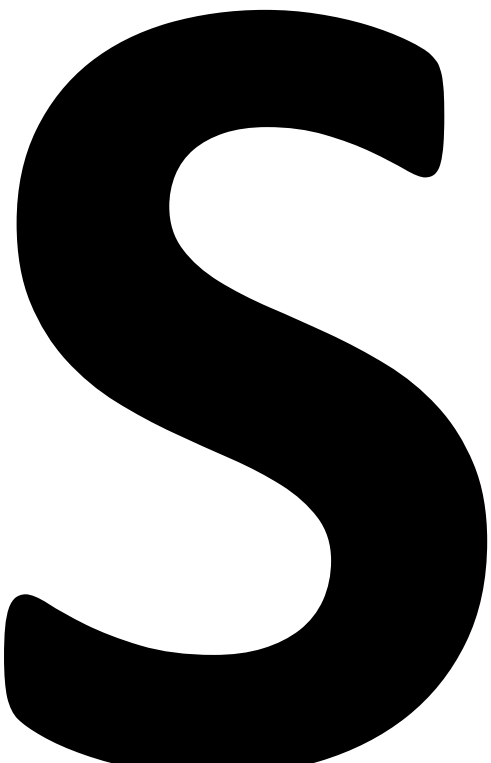
RC

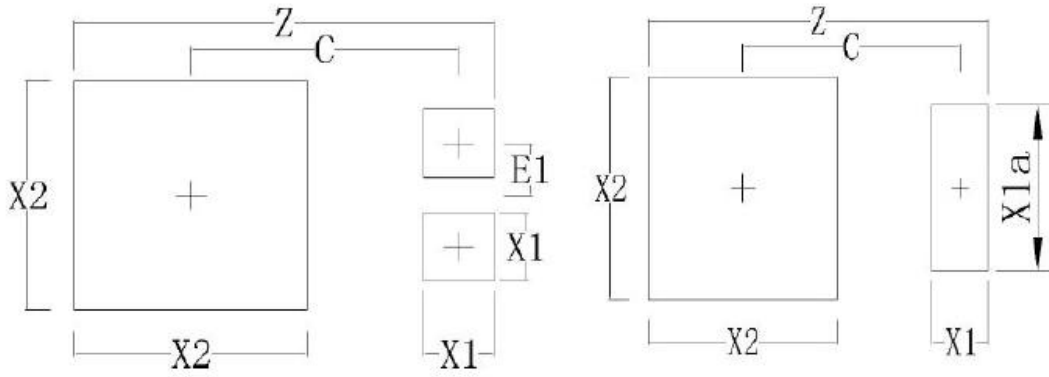
NMOS

●

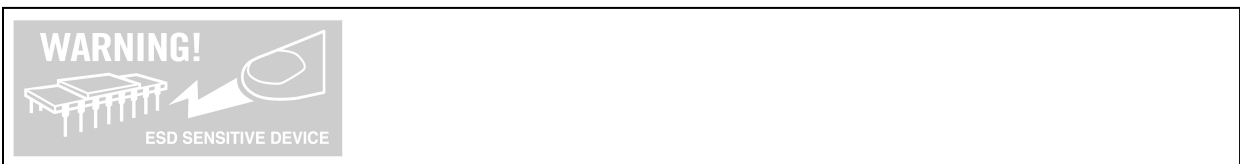
●



A large, bold, black letter 'S' is positioned in the bottom-left corner of the page. The letter is thick and has a smooth, rounded shape.



Symbol	Dimensions In Millimeters



-
-
-
-
-
-
-

-