



*Shenzhen Orient Components Co., Ltd*

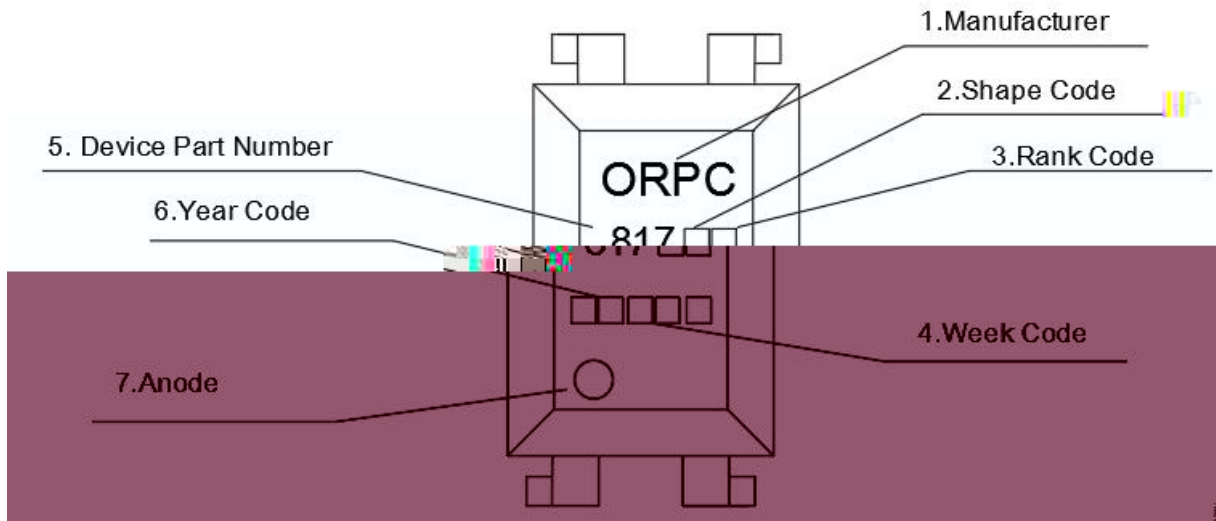
---





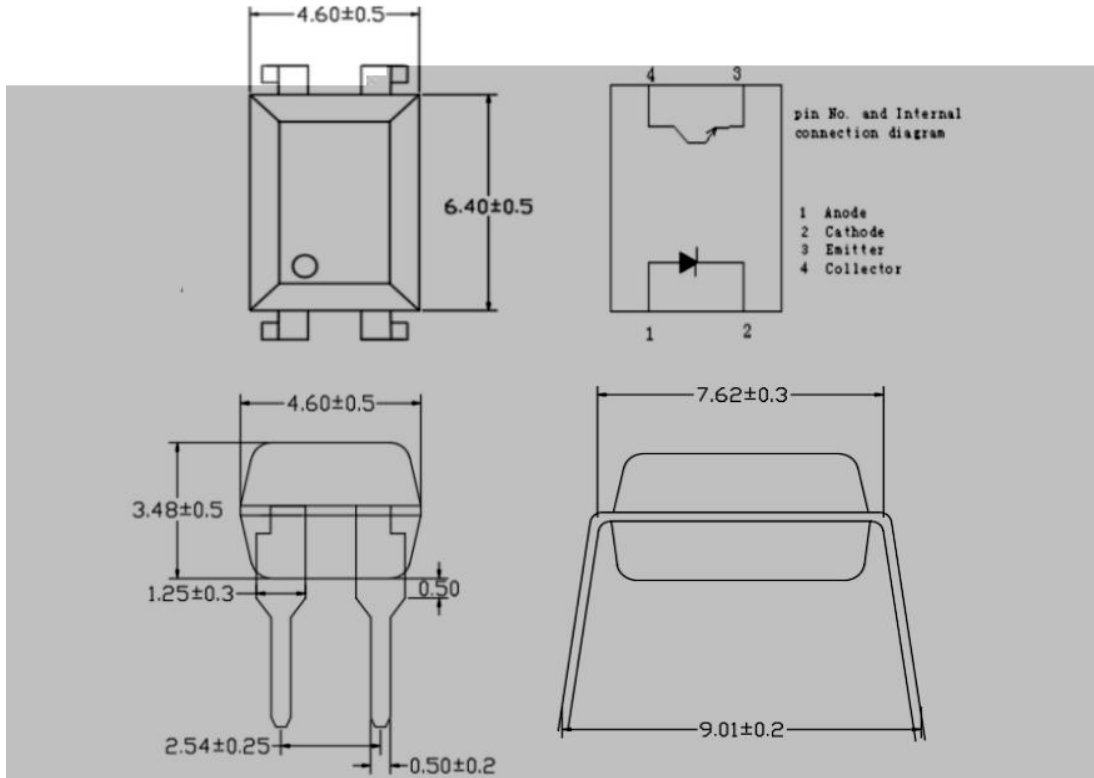


## 7. Naming Rule



8. Package Dimension (Unit mm)

( ) -



( ) -

